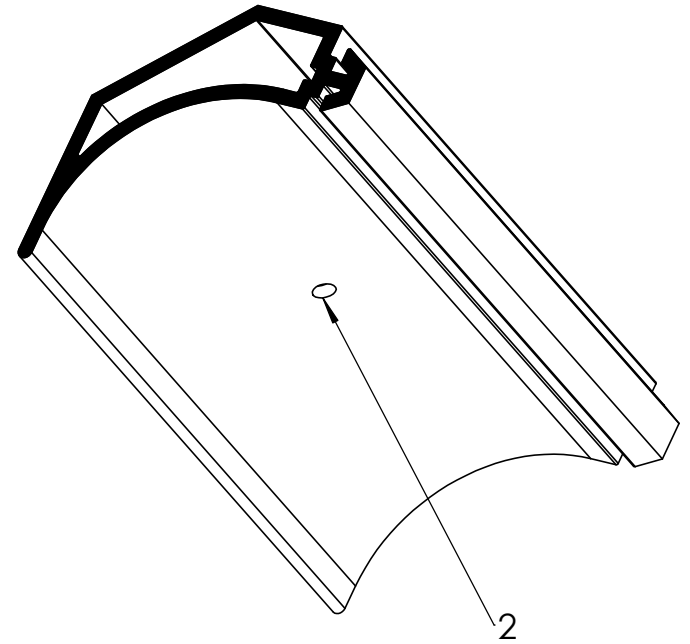
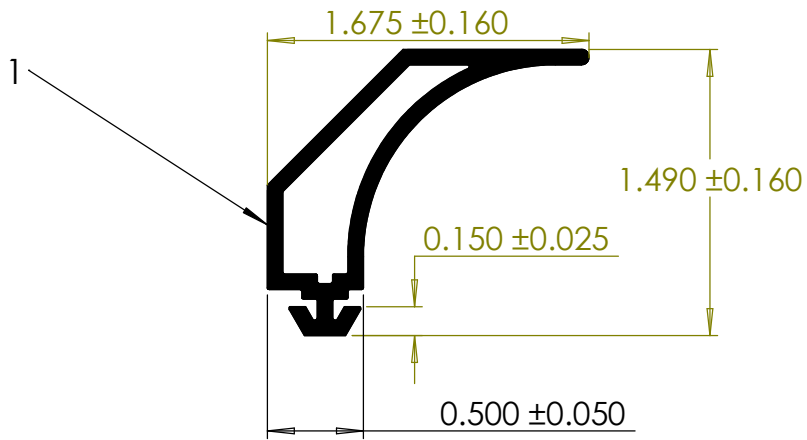


NOTES:

- 1) CLOSED CELL SPONGE RUBBER (DENSITY 0.827 G/CM³)
- 2) 0.125" VENT HOLES 6"-10" SPACING



UNI-GRIP, INC.

9823 STATE ROUTE 53 N
UPPER SANDUSKY, OHIO 43351

PROPRIETARY AND CONFIDENTIAL: THE INFORMATION CONTAINED IN THIS DRAWING IS THE SOLE PROPERTY OF UNI-GRIP, INC. ANY REPRODUCTION IN PART OR AS A WHOLE WITHOUT THE WRITTEN PERMISSION OF UNI-GRIP, INC. IS PROHIBITED.	UNLESS OTHERWISE SPECIFIED:	TITLE:		
	DIMENSIONS ARE IN INCHES TOLERANCES PER ARPM CLASS 3	BL-013		
	WEIGHT 0.142 LB/FT	SIZE	DWG. NO.	REV
DOCUMENT CONTROL NUMBER UG-1-EN-001-FR-(111416)	ASTM D1056 2A5	A	UG-1-BL-013	A
	ASTM D2000 N/A	DR. BY	L. CLARK	DATE
	SCALE: 1:1		12/22/2016	SHEET 1 OF 1