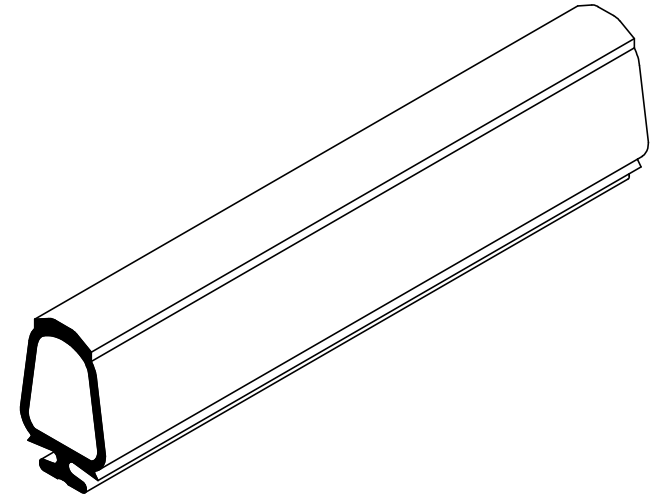
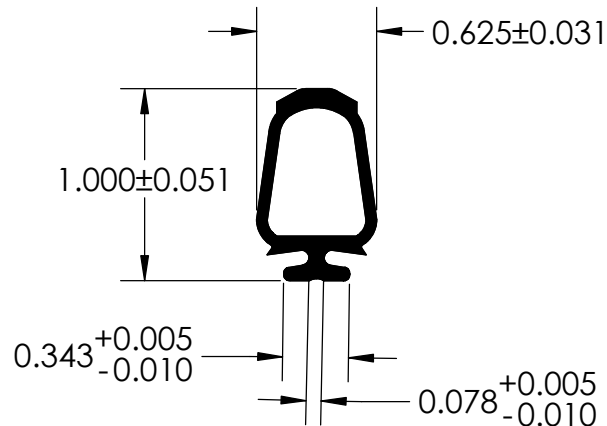


NOTES:

1) 63 DUROMETER BLACK PVC (1.370 G/CM<sup>3</sup>)

REVISION RECORD			
REV.	DESCRIPTION	DATE	APPROVED
A	MATERIAL: 80 DUROMETER PVC	08/01/2017	LC
B	MATERIAL: 63 DUROMETER PVC	09/28/2017	LC



CUSTOMER APPROVAL: \_\_\_\_\_

DATE: \_\_\_\_\_



**UNI-GRIP, INC.**

9823 STATE ROUTE 53 N  
UPPER SANDUSKY, OHIO 43351

PROPRIETARY AND CONFIDENTIAL:	UNLESS OTHERWISE SPECIFIED:
THE INFORMATION CONTAINED IN THIS DRAWING IS THE SOLE PROPERTY OF UNI-GRIP, INC. ANY REPRODUCTION IN PART OR AS A WHOLE WITHOUT THE WRITTEN PERMISSION OF UNI-GRIP, INC. IS PROHIBITED.	DIMENSIONS ARE IN INCHES TOLERANCES PER ARPM CLASS 3
	WEIGHT 0.136 LB/FT
	ASTM D1056 N/A
DOCUMENT CONTROL NUMBER UG-1-EN-001-FR-(111416)	ASTM D2000 N/A

TITLE:		BL-025	
SIZE <b>A</b>	DWG. NO.	UG-1-BL-025	REV <b>B</b>

P:\Engineering\Prints\Bulb Seals\BL-025 UG-1-BL-025

SCALE: 1:1

DR. BY L. CLARK

DATE 9/28/2017

SHEET 1 OF 1