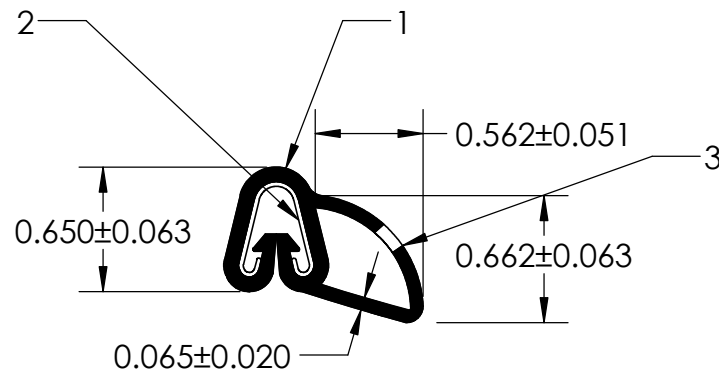
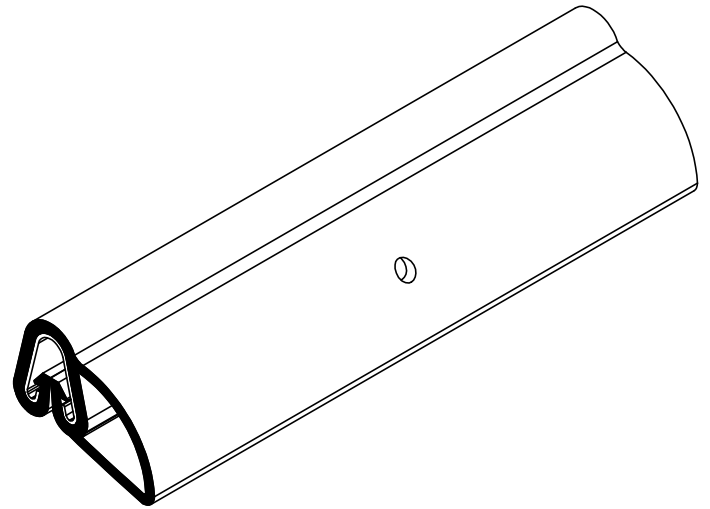


NOTES:

- 1) 60 DUROMETER BLACK SILICONE (1.200 G/CM<sup>3</sup>)
- 2) SD-487 SPRING STEEL CARRIER (0.030 LB/FT)
- 3) VENT HOLES



**UNI-GRIP, INC.**

9823 STATE ROUTE 53 N  
UPPER SANDUSKY, OHIO 43351

REVISION BLOCK				PROPRIETARY AND CONFIDENTIAL:	UNLESS OTHERWISE SPECIFIED:	TITLE:		
REV.	DATE	R. By	CHANGES MADE	THE INFORMATION CONTAINED IN THIS DRAWING IS THE SOLE PROPERTY OF UNI-GRIP, INC. ANY REPRODUCTION IN PART OR AS A WHOLE WITHOUT THE WRITTEN PERMISSION OF UNI-GRIP, INC. IS PROHIBITED.	DIMENSIONS ARE IN INCHES TOLERANCES PER ARPM CLASS 3	BL-091		
A								
B					WEIGHT	SIZE <b>A</b> DWG. NO. UG-1-BL-487-ST-091      REV DR. BY C. VENT      DATE 10/5/2020      SHEET 1 OF 1		
C					0.165 LB/FT			
D					ASTM D1056      N/A			
E				DOCUMENT CONTROL NUMBER	ASTM D2000      N/A			
P:\Engineering\Prints\Master Prints\Bulb Seals\BL-091 UG-1-BL-487-ST-091				UG-1-EN-001-FR-(080918)	SCALE: 1:1			