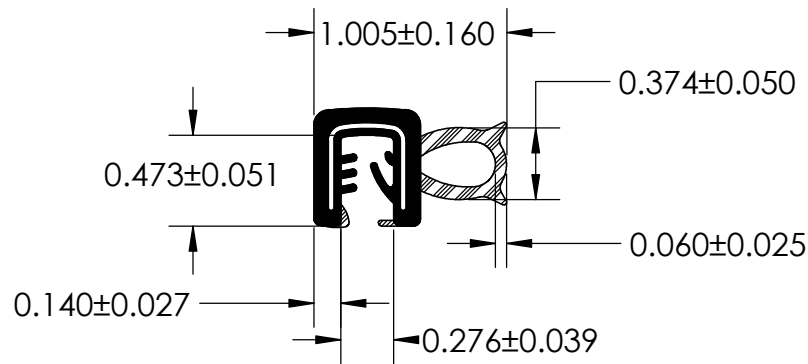
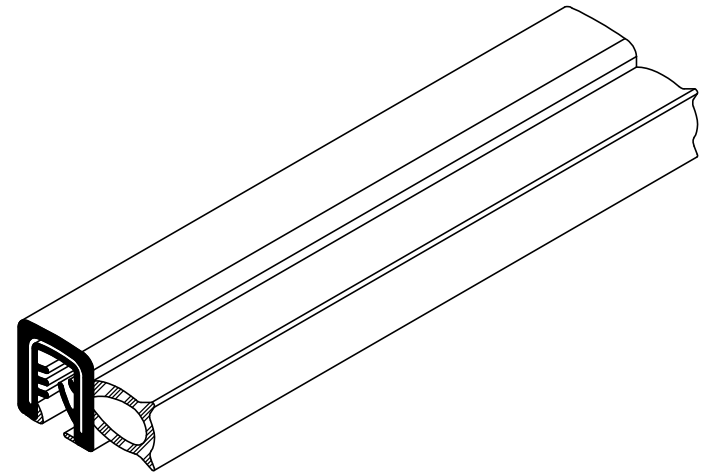


NOTES:

- 1) CLOSED CELL EPDM SPONGE RUBBER (0.750 G/CM<sup>3</sup>)
- 2) 70 DUROMETER EPDM DENSE RUBBER (1.200 G/CM<sup>3</sup>)
- 3) 1.120" WIRE CARRIER (0.024 LB/FT)



**UNI-GRIP, INC.**

9823 STATE ROUTE 53 N  
UPPER SANDUSKY, OHIO 43351

| REVISION BLOCK  |      |             |              | PROPRIETARY AND CONFIDENTIAL:   | UNLESS OTHERWISE SPECIFIED:                             | TITLE:   |  |     |        |         |
|---|------|-------------|--------------|---|---|----------|--|-----|--------|---------|
| REV.  | DATE | APPROVED BY | CHANGES MADE | THE INFORMATION CONTAINED IN THIS DRAWING IS THE SOLE PROPERTY OF UNI-GRIP, INC. ANY REPRODUCTION IN PART OR AS A WHOLE WITHOUT THE WRITTEN PERMISSION OF UNI-GRIP, INC. IS PROHIBITED. | DIMENSIONS ARE IN INCHES<br>TOLERANCES PER ARPM CLASS 3 | DU-080   |  |     |        |         |
| A   |      |             |              |   |   |          |  |     |        |         |
| B   |      |             |              |   | WEIGHT  | SIZE     |  |     |        |         |
| C   |      |             |              |   | 0.176 LB/FT   |          |  |     | A      |         |
| D   |      |             |              |   | ASTM D1056  | DWG. NO. |  |     |        |         |
| E   |      |             |              | 2A4   | UG-1-DU-1120-WR-080                                     |          |  |     |        |         |
| DOCUMENT CONTROL NUMBER   |      |             |              | ASTM D2000  |   |          |  | REV |        |         |
| UG-1-EN-001-FR-(111416)   |      |             |              | 3BA711 A14 B13 C12 F17  | A   |          |  |     |        |         |
| P:\Engineering\Prints\Dual Durometer\DU-080 UG-1-DU-1120-WR-080 |      |             |              | SCALE:  |   |          |  | 1:1 | DR. BY | C. VENT |