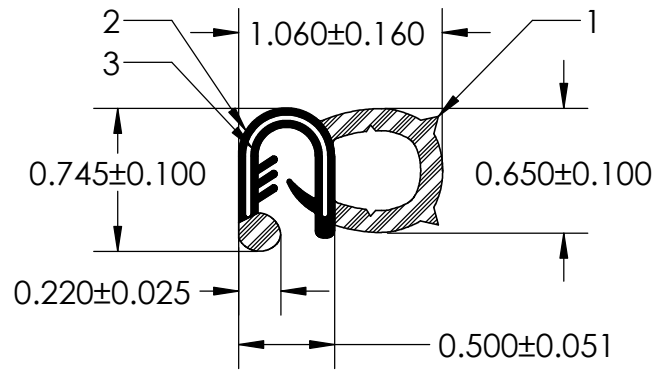
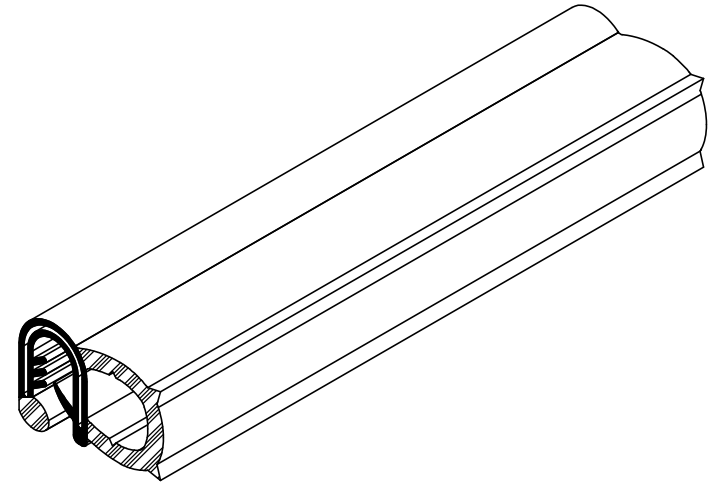


NOTES:

- 1) CLOSED CELL EPDM SPONGE RUBBER (0.750 G/CM³)
- 2) 70 DUROMETER EPDM DENSE RUBBER (1.200 G/CM³)
- 3) 1.315" WIRE CARRIER (0.0)



UNI-GRIP, INC.

9823 STATE ROUTE 53 N
UPPER SANDUSKY, OHIO 43351

REVISION BLOCK				PROPRIETARY AND CONFIDENTIAL:	UNLESS OTHERWISE SPECIFIED:	TITLE:		
REV.	DATE	APPROVED BY	CHANGES MADE	THE INFORMATION CONTAINED IN THIS DRAWING IS THE SOLE PROPERTY OF UNI-GRIP, INC. ANY REPRODUCTION IN PART OR AS A WHOLE WITHOUT THE WRITTEN PERMISSION OF UNI-GRIP, INC. IS PROHIBITED.	DIMENSIONS ARE IN INCHES TOLERANCES PER ARPM CLASS 3	DU-083		
A								
B					WEIGHT	SIZE A DWG. NO. UG-1-DU-1315-WR-083 REV A		
C					0.153 LB/FT			
D					ASTM D1056	SCALE: 1:1 DR. BY C. VENT DATE 8/23/2018 SHEET 1 OF 1		
E				2A4				
DOCUMENT CONTROL NUMBER UG-1-EN-001-FR-(111416)				ASTM D2000				
P:\Engineering\Prints\Dual Durometer\DU-083 UG-1-DU-1315-WR-083				3BA711 A14 B13 C12 F17				