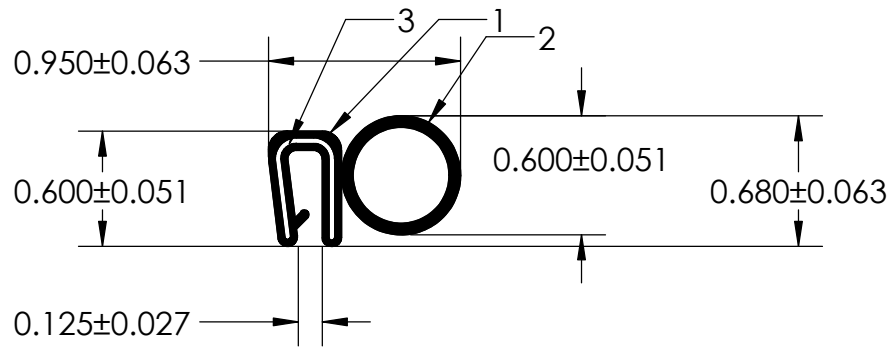
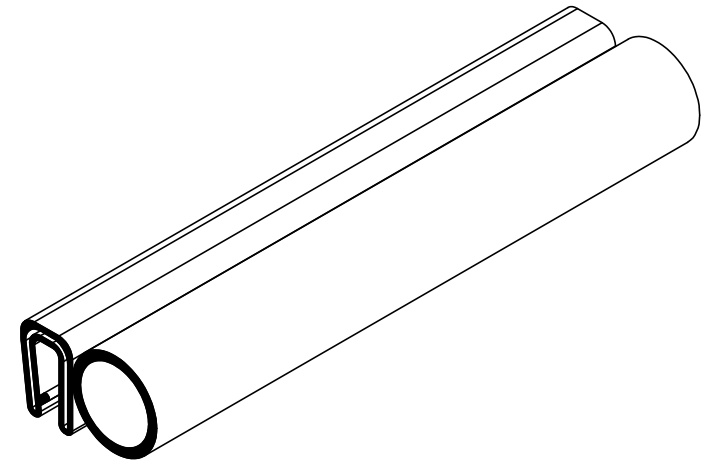


NOTES:

- 1) 70 DUROMETER EPDM DENSE RUBBER (1.200 G/CM³)
- 2) 40 DUROMETER EPDM DENSE RUBBER (1.200 G/CM³)
- 3) 1.120" WIRE CARRIER (0.024 LB/FT)



UNI-GRIP, INC.

9823 STATE ROUTE 53 N
UPPER SANDUSKY, OHIO 43351

REVISION BLOCK			
REV.	DATE	REVIEWED BY	CHANGES MADE
A			
B			
C			
D			
E			

<p>PROPRIETARY AND CONFIDENTIAL:</p> <p>THE INFORMATION CONTAINED IN THIS DRAWING IS THE SOLE PROPERTY OF UNI-GRIP, INC. ANY REPRODUCTION IN PART OR AS A WHOLE WITHOUT THE WRITTEN PERMISSION OF UNI-GRIP, INC. IS PROHIBITED.</p> <p>DOCUMENT CONTROL NUMBER UG-1-EN-001-FR-(103018)</p>	<p>UNLESS OTHERWISE SPECIFIED:</p> <p>DIMENSIONS ARE IN INCHES TOLERANCES PER ARPM CLASS 3</p> <p>WEIGHT 0.156 LB/FT</p> <p>ASTM D1056 N/A</p> <p>ASTM D2000 3BA711 A14 B13 C12 F17</p>
------------------------------------------------------------------------------------------------------------------------------------------------------------------------------------------------------------------------------------------------------------------------------------------------	---------------------------------------------------------------------------------------------------------------------------------------------------------------------------------------------------------

TITLE: DU-085 W.125 OPENING		
SIZE A	DWG. NO. UG-1-DU-1120-WR-085	REV