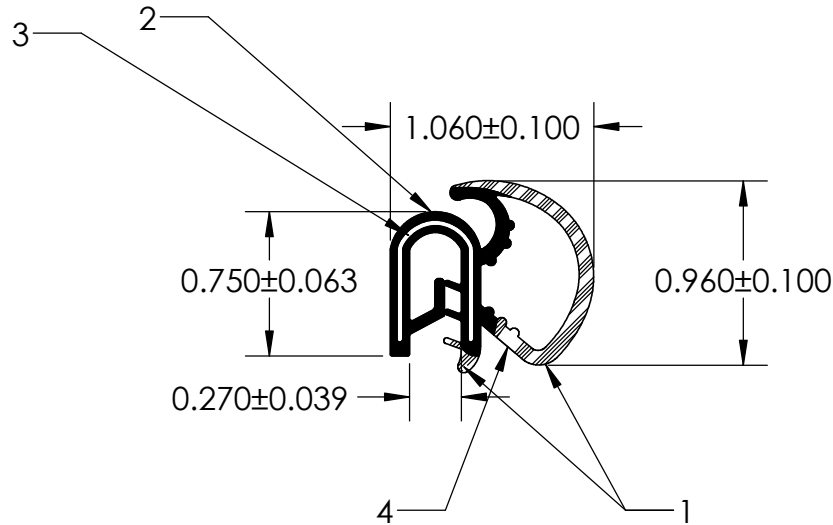
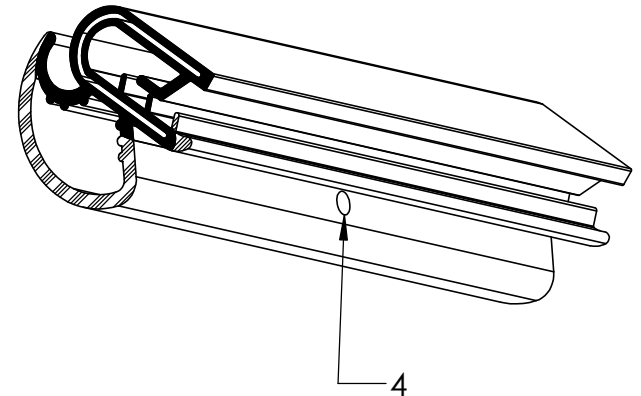


NOTES:

- 1) CLOSED CELL EPDM SPONGE RUBBER (0.700 G/CM³)
- 2) 70 DUROMETER EPDM DENSE RUBBER (1.200 G/CM³)
- 3) 1.430 WIRE CARRIER (0.033 LB/FT)
- 4) .125" VENT HOLE



UNI-GRIP, INC.

9823 STATE ROUTE 53 N
UPPER SANDUSKY, OHIO 43351

REVISION BLOCK				PROPRIETARY AND CONFIDENTIAL:	UNLESS OTHERWISE SPECIFIED:	TITLE:		
REV.	DATE	REVIEWED BY	CHANGES MADE	THE INFORMATION CONTAINED IN THIS DRAWING IS THE SOLE PROPERTY OF UNI-GRIP, INC. ANY REPRODUCTION IN PART OR AS A WHOLE WITHOUT THE WRITTEN PERMISSION OF UNI-GRIP, INC. IS PROHIBITED.	DIMENSIONS ARE IN INCHES TOLERANCES PER ARPM CLASS 3	DU-123		
A								
B					WEIGHT	DWG. NO.		
C					0.220 LB/FT			
D					ASTM D1056	UG-1-DU-1430-WR-123		
E				2A4				
DOCUMENT CONTROL NUMBER				ASTM D2000	SIZE	REV		
UG-1-EN-001-FR-(103018)				3BA711 A14 B13 C12 F17	A	A		
P:\Engineering\Prints\Dual Durometer\DU-123 UG-1-DU-1430-WR-123				SCALE: 1:1	DR. BY	DATE		
					C. VENT	11/11/2019		
						SHEET 1 OF 1		