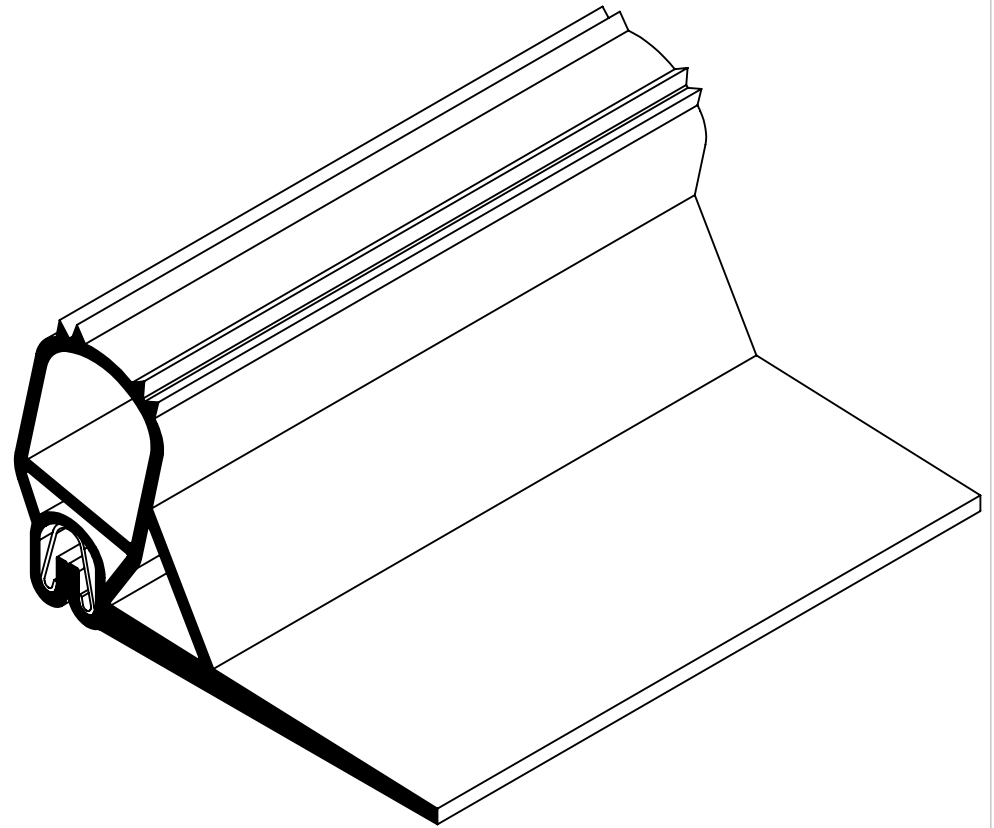
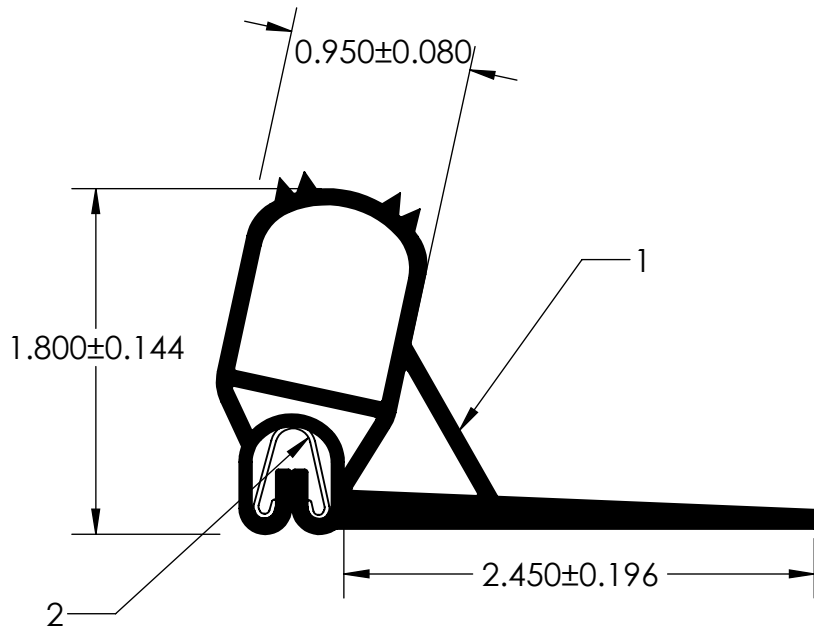


NOTES:

- 1) CLOSED CELL EPDM SPONGE RUBBER (0.750 G/CM<sup>3</sup>)
- 2) SD-487 SPRING STEEL CARRIER (0.030 LB/FT)



**UNI-GRIP, INC.**

9823 STATE ROUTE 53 N  
UPPER SANDUSKY, OHIO 43351

REVISION BLOCK				PROPRIETARY AND CONFIDENTIAL:	UNLESS OTHERWISE SPECIFIED:	TITLE:				
REV.	DATE	R. By	CHANGES MADE	THE INFORMATION CONTAINED IN THIS DRAWING IS THE SOLE PROPERTY OF UNI-GRIP, INC. ANY REPRODUCTION IN PART OR AS A WHOLE WITHOUT THE WRITTEN PERMISSION OF UNI-GRIP, INC. IS PROHIBITED.	DIMENSIONS ARE IN INCHES TOLERANCES PER ARPM CLASS 3	ED-17041				
A					WEIGHT 0.325 LB/FT					
B					ASTM D1056 2A5	SIZE <b>A</b>	DWG. NO. UG-1-BL-487-ST-097	REV		
C					DOCUMENT CONTROL NUMBER UG-1-EN-001-FR-(080918)	ASTM D2000 N/A				
D										
E										
P:\Engineering\Prints\Master Prints\Bulb Seals\ED-17041 UG-1-BL-487-ST-097				SCALE:	1:1	DR. BY	C. VENT	DATE	2/4/2021	SHEET 1 OF 1