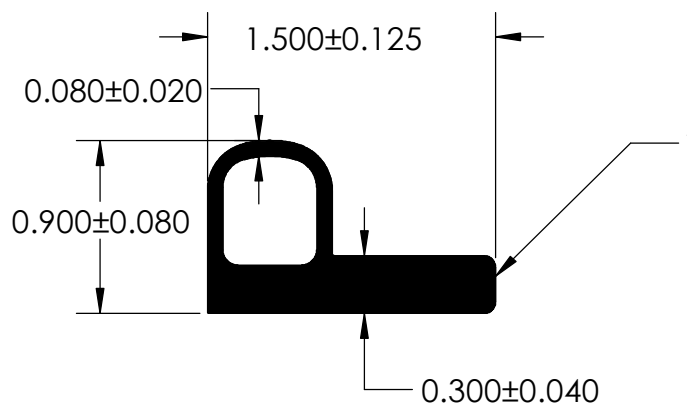
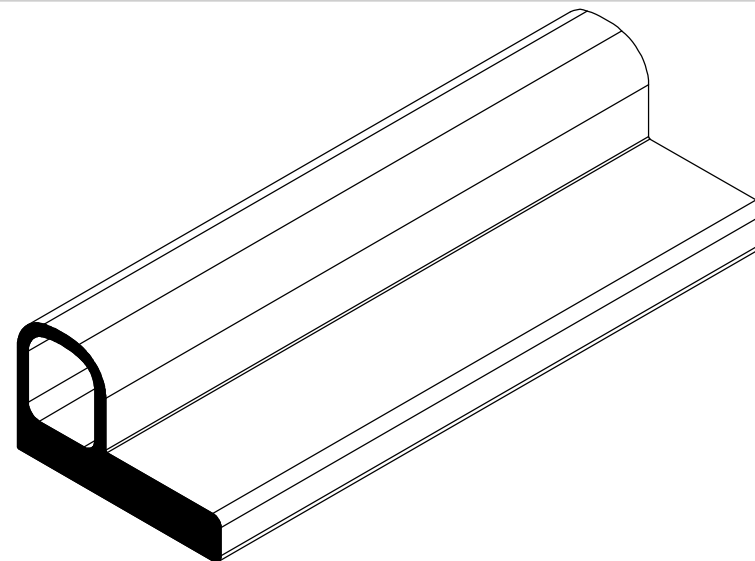


NOTES:

1) CLOSED CELL SPONGE RUBBER (DENSITY 0.725 G/CM³)



UNI-GRIP, INC.

9823 STATE ROUTE 53 N
UPPER SANDUSKY, OHIO 43351

| | |
|---|---|
| PROPRIETARY AND CONFIDENTIAL: | UNLESS OTHERWISE SPECIFIED: |
| THE INFORMATION CONTAINED IN THIS DRAWING IS THE SOLE PROPERTY OF UNI-GRIP, INC. ANY REPRODUCTION IN PART OR AS A WHOLE WITHOUT THE WRITTEN PERMISSION OF UNI-GRIP, INC. IS PROHIBITED. | DIMENSIONS ARE IN INCHES TOLERANCES PER ARPM CLASS 3 |
| | WEIGHT 0.172 LB/FT |
| | ASTM D1056 2A3 |
| DOCUMENT CONTROL NUMBER UG-1-EN-001-FR-(111416) | ASTM D2000 N/A |

| | | | |
|------------------|-------------------------|-----------------|--|
| TITLE: | | ED-5336 | |
| SIZE A | DWG. NO. UG-1-BL-017 | REV A | |