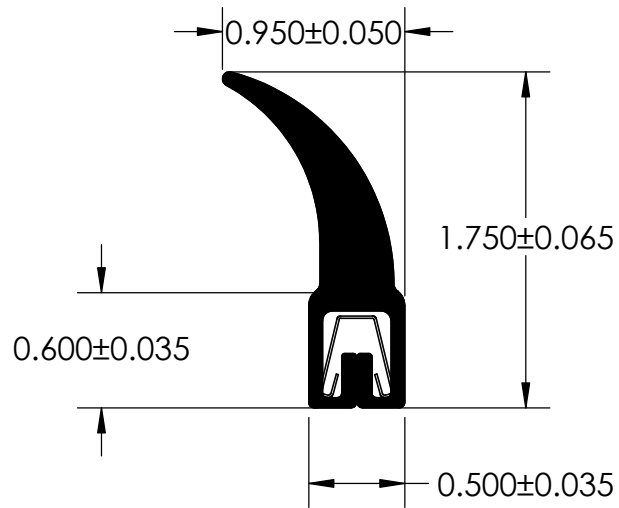
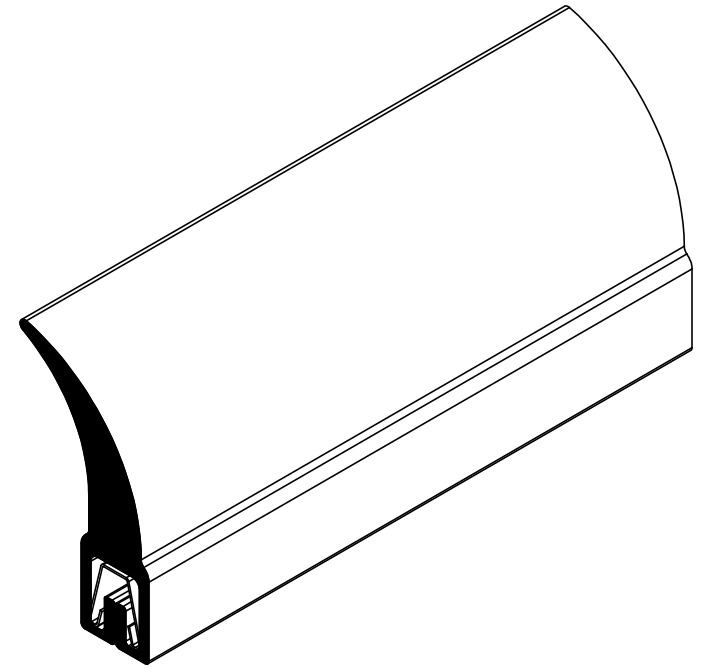


NOTES:

- 1) CLOSED CELL EPDM MICRO DENSE RUBBER(0.900 G/CM³)
- 2) SD-381 L SPRING STEEL CARRIER (0.032 LB/FT)



UNI-GRIP, INC.

9823 STATE ROUTE 53 N
UPPER SANDUSKY, OHIO 43351

REVISION BLOCK				PROPRIETARY AND CONFIDENTIAL:	UNLESS OTHERWISE SPECIFIED:	TITLE:		
REV.	DATE	REVIEWED BY	CHANGES MADE	THE INFORMATION CONTAINED IN THIS DRAWING IS THE SOLE PROPERTY OF UNI-GRIP, INC. ANY REPRODUCTION IN PART OR AS A WHOLE WITHOUT THE WRITTEN PERMISSION OF UNI-GRIP, INC. IS PROHIBITED.	DIMENSIONS ARE IN INCHES TOLERANCES PER ARPM CLASS 3	ED-5364		
A								
B					WEIGHT	0.214 LB/FT		
C					ASTM D1056	N/A		
D					ASTM D2000	N/A		
E				DOCUMENT CONTROL NUMBER UG-1-EN-001-FR-(103018)	SIZE	DWG. NO.	REV	
P:\Engineering\Prints\Flap Seals\ED-5364 UG-1-FS-381-ST-051				SCALE:	1:1	A	UG-1-FL-381-ST-051	A
				DR. BY	C. VENT	DATE	3/19/2019	SHEET 1 OF 1