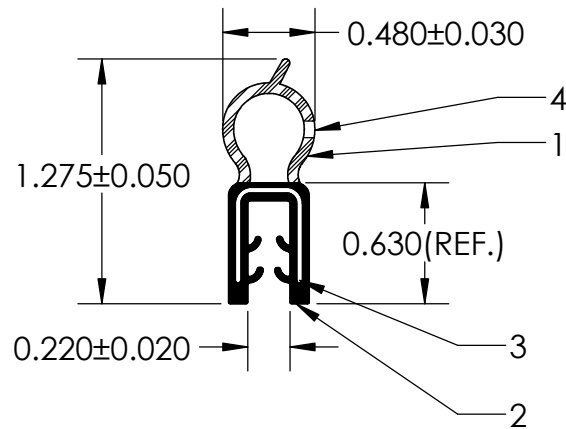
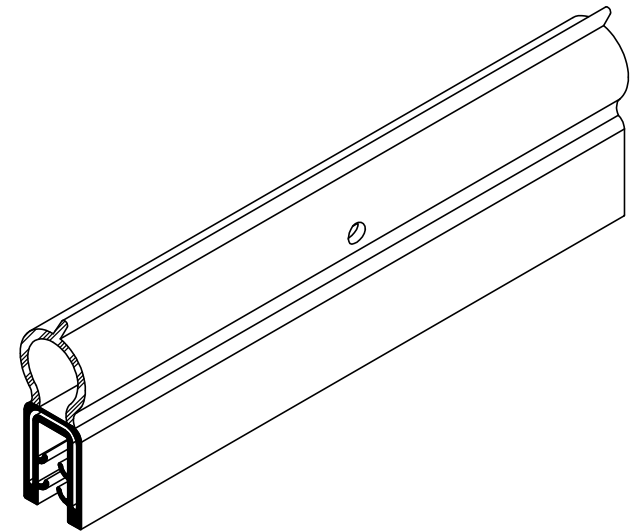


NOTES:

- 1) CLOSED CELL EPDM SPONGE RUBBER (0.700 G/CM<sup>3</sup>)
- 2) 70 DUROMETER EPDM DENSE RUBBER (1.200 G/CM<sup>3</sup>)
- 3) 1.120" WIRE CARRIER (0.024 LB/FT)
- 4) 0.125" VENT HOLE



**UNI-GRIP, INC.**

9823 STATE ROUTE 53 N  
UPPER SANDUSKY, OHIO 43351

REVISION BLOCK				PROPRIETARY AND CONFIDENTIAL:	UNLESS OTHERWISE SPECIFIED:	TITLE:				
REV.	DATE	REVIEWED BY	CHANGES MADE	THE INFORMATION CONTAINED IN THIS DRAWING IS THE SOLE PROPERTY OF UNI-GRIP, INC. ANY REPRODUCTION IN PART OR AS A WHOLE WITHOUT THE WRITTEN PERMISSION OF UNI-GRIP, INC. IS PROHIBITED.	DIMENSIONS ARE IN INCHES TOLERANCES PER ARPM CLASS 3	ED-5370-B				
A					WEIGHT 0.121 LB/FT					
B					ASTM D1056 2A5	SIZE <b>A</b>	DWG. NO. UG-1-DU-1120-WR-133	REV <b>A</b>		
C					DOCUMENT CONTROL NUMBER UG-1-EN-001-FR-(103018)	ASTM D2000 3BA711 A14 B13 C12 F17				
D										
E										
P:\Engineering\Prints\Dual Durometer\ED-5370-B UG-1-DU-1120-WR-133				SCALE:	1:1	DR. BY	C. VENT	DATE	2/10/2020	SHEET 1 OF 1