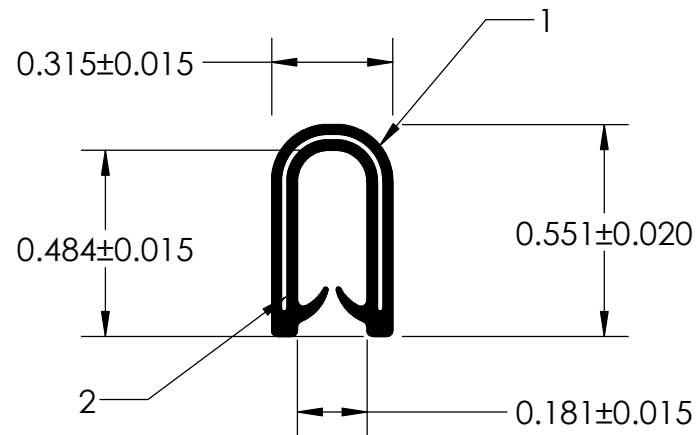
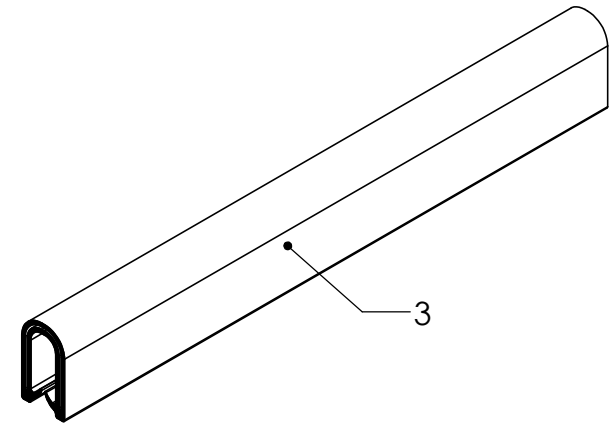


NOTES:

- 1) 80 DUROMETER BLACK PVC (1.370 G/CM<sup>3</sup>)
- 2) 1.000" STAMPED STEEL (0.046 LB/FT)
- 3) LEATHER GRAIN PATTERN



CUT LENGHT	TOLERANCE
4.60"	+/- 0.125"



**UNI-GRIP, INC.**

9823 STATE ROUTE 53 N  
UPPER SANDUSKY, OHIO 43351

REVISION BLOCK			
REV.	DATE	REVIEWED BY	CHANGES MADE
A			
B			
C			
D			
E			

PROPRIETARY AND CONFIDENTIAL:	UNLESS OTHERWISE SPECIFIED:
THE INFORMATION CONTAINED IN THIS DRAWING IS THE SOLE PROPERTY OF UNI-GRIP, INC. ANY REPRODUCTION IN PART OR AS A WHOLE WITHOUT THE WRITTEN PERMISSION OF UNI-GRIP, INC. IS PROHIBITED.	DIMENSIONS ARE IN INCHES TOLERANCES PER ARPM CLASS 3
DOCUMENT CONTROL NUMBER UG-1-EN-001-FR-(103018)	WEIGHT 0.099 LB/FT ASTM D1056 N/A ASTM D2000 N/A

TITLE:		
ET-054		
SIZE <b>A</b>	DWG. NO. UG-1-ET-1000-FS-054	REV