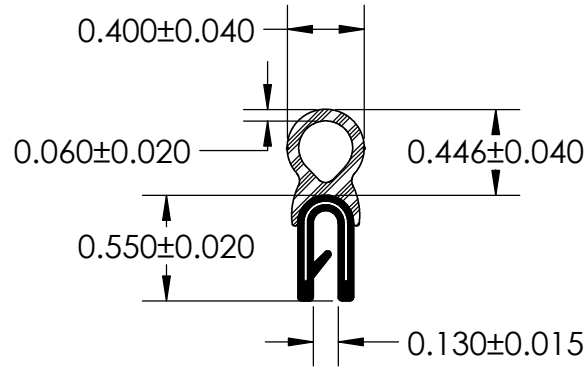
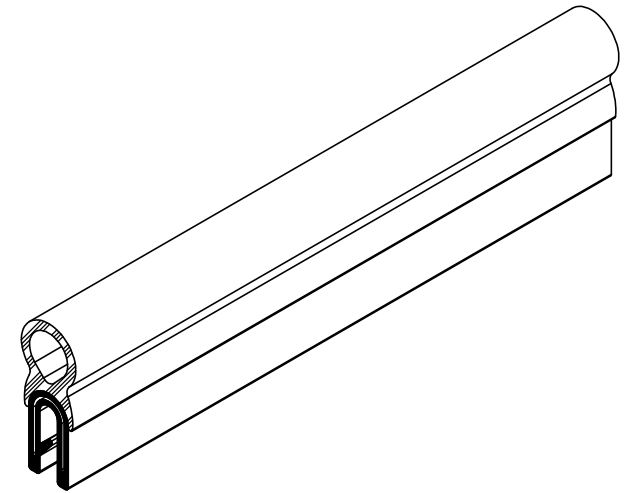


NOTES:

- 1) CLOSED CELL EPDM SPONGE RUBBER (0.380 G/CM³)
- 2) 80 DUROMETER BLACK PVC (1.370 G/CM³)
- 3) 1.000" STAMPED STEEL (0.046 LB/FT)
- 4) CYANOACRYLATE ADHESIVE



UNI-GRIP, INC.

9823 STATE ROUTE 53 N
UPPER SANDUSKY, OHIO 43351

REVISION BLOCK				PROPRIETARY AND CONFIDENTIAL:	UNLESS OTHERWISE SPECIFIED:	TITLE:				
REV.	DATE	REVIEWED BY	CHANGES MADE	THE INFORMATION CONTAINED IN THIS DRAWING IS THE SOLE PROPERTY OF UNI-GRIP, INC. ANY REPRODUCTION IN PART OR AS A WHOLE WITHOUT THE WRITTEN PERMISSION OF UNI-GRIP, INC. IS PROHIBITED.	DIMENSIONS ARE IN INCHES TOLERANCES PER ARPM CLASS 3	SD-108-T				
A										
B					WEIGHT	SIZE				
C					0.112 LB/FT					
D					ASTM D1056	DWG. NO.				
E				2A4						
DOCUMENT CONTROL NUMBER				ASTM D2000	UG-1-GL-1000-FS-030			REV		
UG-1-EN-001-FR-(103018)				3BA711 A14 B13 C12 F17	A			A		
P:\Engineering\Prints\Glue Line\SD-108-T UG-1-GL-1000-FS-030				SCALE:	1:1	DR. BY	C. VENT	DATE	9/20/2019	SHEET 1 OF 1