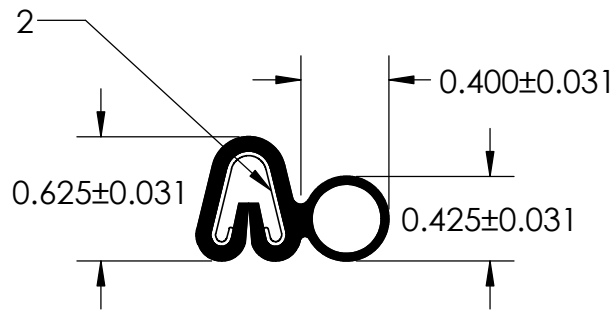
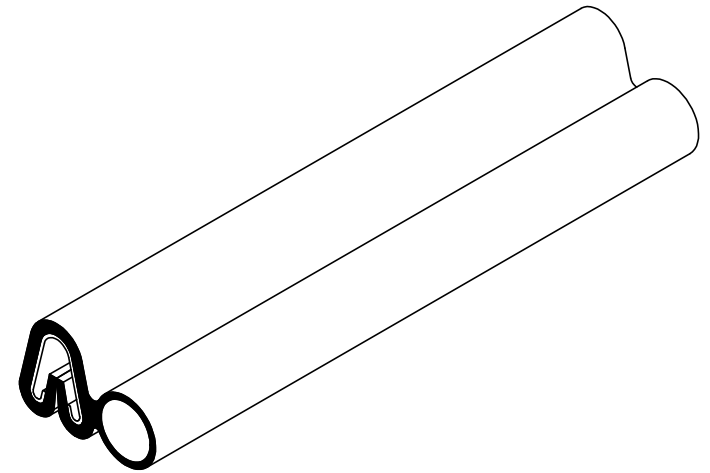


NOTES:

- 1) MATERIAL: 75 DUROMETER NITRILE DENSE RUBBER (1.250 G/CM<sup>3</sup>)
- 2) SD-487 SPRING STEEL CARRIER (0.030 LB/FT)



**UNI-GRIP, INC.**

9823 STATE ROUTE 53 N  
UPPER SANDUSKY, OHIO 43351

PROPRIETARY AND CONFIDENTIAL:  THE INFORMATION CONTAINED IN THIS DRAWING IS THE SOLE PROPERTY OF UNI-GRIP, INC. ANY REPRODUCTION IN PART OR AS A WHOLE WITHOUT THE WRITTEN PERMISSION OF UNI-GRIP, INC. IS PROHIBITED.	UNLESS OTHERWISE SPECIFIED:	TITLE:		
	DIMENSIONS ARE IN INCHES TOLERANCES PER ARPM CLASS 3	SD-109-NITRILE		
	WEIGHT 0.145 LB/FT			
DOCUMENT CONTROL NUMBER UG-1-EN-001-FR-(111416)	ASTM D1056 N/A	SIZE <b>A</b>	DWG. NO. UG-1-BL-487-ST-047	REV <b>A</b>
	ASTM D2000 N/A	DR. BY L. CLARK	DATE 12/20/2017	SHEET 1 OF 1

P:\Engineering\Prints\Bulb Seals\SD-109-N UG-1-BL-487-ST-047

SCALE: 1:1

5

4

3

2

1