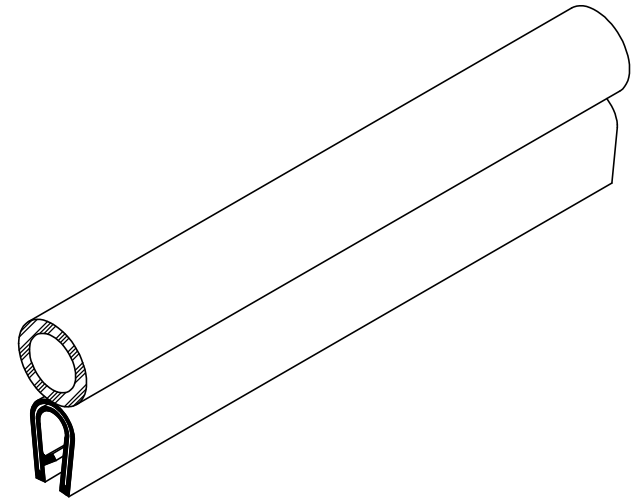
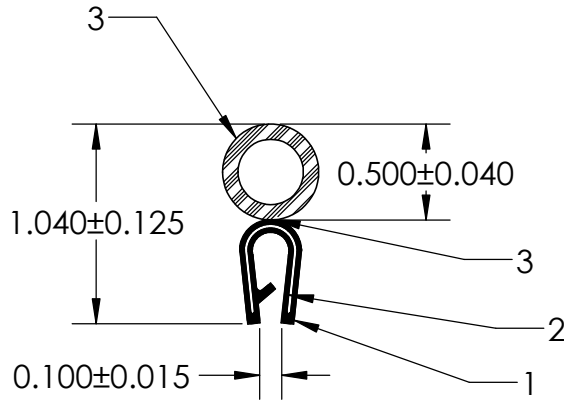


NOTES:

- 1) 80 DUROMETER BLACK PVC (0.045 LB/FT)
- 2) 1" STAMPED STEEL CARRIER (0.046 LB/FT)
- 3) CLOSED CELL EPDM SPONGE RUBBER (0.380 G/CM³)
- 4) CYANOACRYLATE BOND



UNI-GRIP, INC.

9823 STATE ROUTE 53 N
UPPER SANDUSKY, OHIO 43351

PROPRIETARY AND CONFIDENTIAL: THE INFORMATION CONTAINED IN THIS DRAWING IS THE SOLE PROPERTY OF UNI-GRIP, INC. ANY REPRODUCTION IN PART OR AS A WHOLE WITHOUT THE WRITTEN PERMISSION OF UNI-GRIP, INC. IS PROHIBITED.	UNLESS OTHERWISE SPECIFIED:	TITLE:		
	DIMENSIONS ARE IN INCHES TOLERANCES PER ARPM CLASS 3	SD-110-T		
	WEIGHT 0.110 LB/FT			
DOCUMENT CONTROL NUMBER UG-1-EN-001-FR-(111416)	ASTM D1056 2A3	SIZE A	DWG. NO. UG-1-GL-1000-FS-015	REV A
	ASTM D2000 N/A	DR. BY L. CLARK	DATE 12/20/2017	SHEET 1 OF 1

P:\Engineering\Prints\Glue Line\SD-110-T UG-1-GL-1000-FS-015

SCALE: 1:1