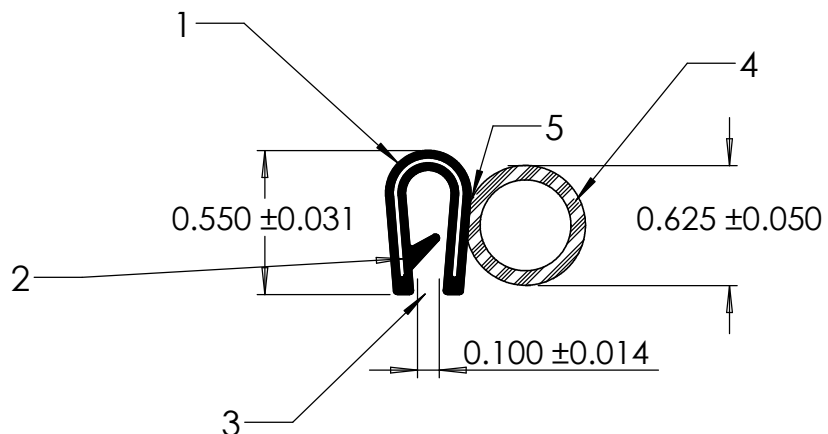
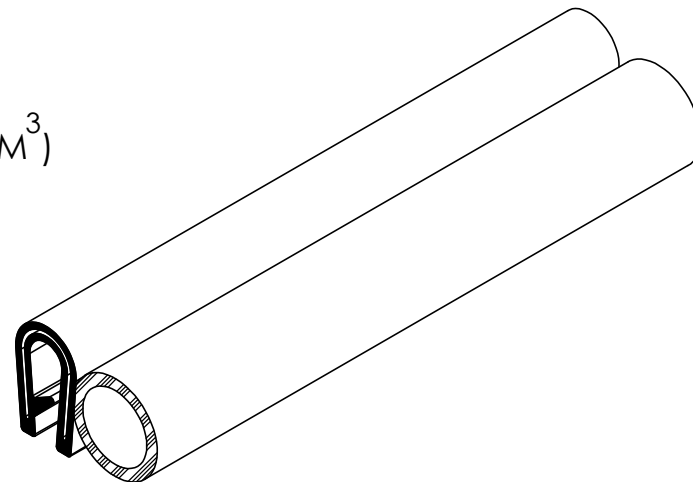


NOTES:

- 1) 80 SHORE A PVC W/ LEATHERGRAIN SURFACE (DENSITY 1.37 G/CM³)
- 2) 1.000" x 0.018" STEEL CARRIER (0.046 LB/FT)
- 3) FIT 0.125" FLANGE
- 4) CLOSED CELL SPONGE RUBBER (DENSITY 0.536 G/CM³)
- 5) CYANOACRYLATE BOND



UNI-GRIP, INC.

9823 STATE ROUTE 53 N
UPPER SANDUSKY, OHIO 43351

PROPRIETARY AND CONFIDENTIAL: THE INFORMATION CONTAINED IN THIS DRAWING IS THE SOLE PROPERTY OF UNI-GRIP, INC. ANY REPRODUCTION IN PART OR AS A WHOLE WITHOUT THE WRITTEN PERMISSION OF UNI-GRIP, INC. IS PROHIBITED.	UNLESS OTHERWISE SPECIFIED:	TITLE:		
	DIMENSIONS ARE IN INCHES TOLERANCES PER ARPM CLASS 3	SD-120-AA		
	WEIGHT 0.121 LB/FT			
DOCUMENT CONTROL NUMBER UG-1-EN-001-FR-(111416)	ASTM D1056 2A2	SIZE A	DWG. NO. UG-1-GL-1000-FS-001	REV A
	ASTM D2000 N/A	DR. BY L. CLARK	DATE 3/27/2017	SHEET 1 OF 1

P:\Engineering\Prints\Glue Line\SD-120-AA UG-1-GL-1000-FS-001

SCALE: 1:1

DR. BY L. CLARK

DATE 3/27/2017

SHEET 1 OF 1