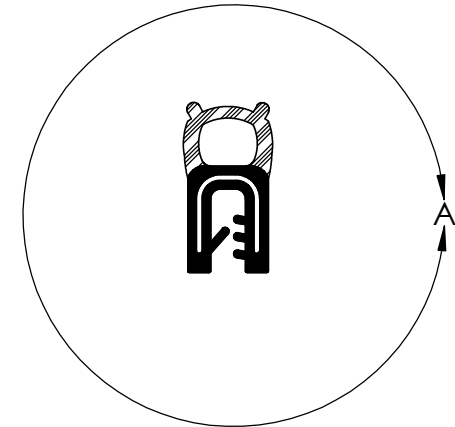
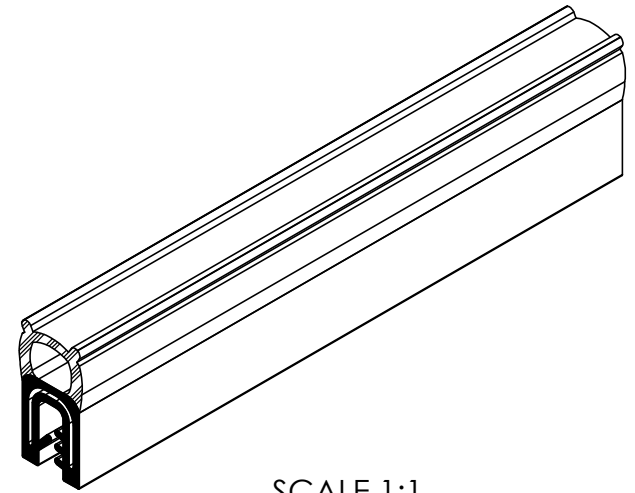
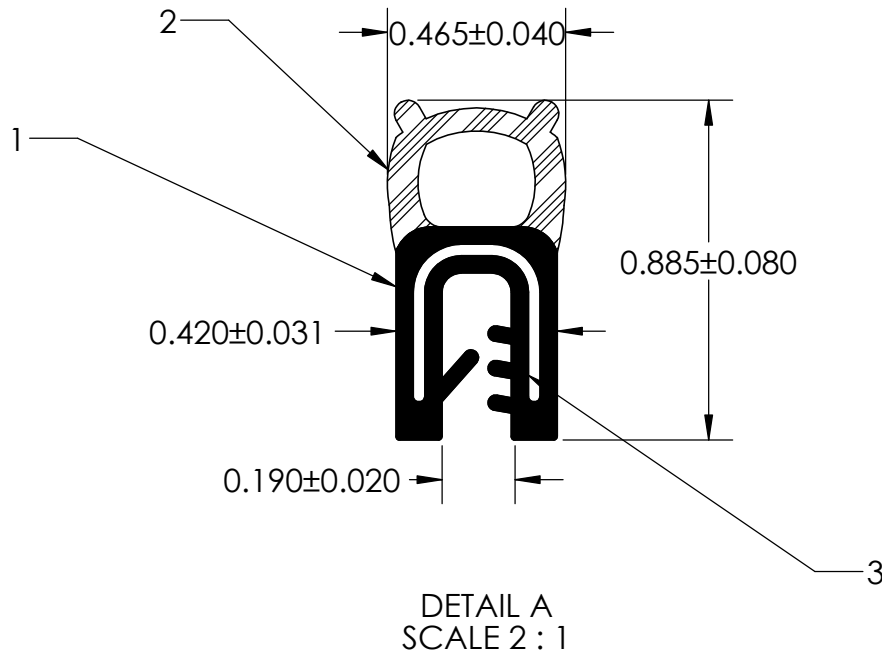


NOTES:

- 1) 70 DUROMETER EPDM DENSE RUBBER (1.200 G/CM³)
- 2) CLOSED CELL EPDM SPONGE RUBBER (0.550 G/CM³)
- 3) 1.000" WIRE CARRIER (0.024 LB/FT)



UNI-GRIP, INC.

9823 STATE ROUTE 53 N
UPPER SANDUSKY, OHIO 43351

| | |
|---|---|
| PROPRIETARY AND CONFIDENTIAL: | UNLESS OTHERWISE SPECIFIED: |
| THE INFORMATION CONTAINED IN THIS DRAWING IS THE SOLE PROPERTY OF UNI-GRIP, INC. ANY REPRODUCTION IN PART OR AS A WHOLE WITHOUT THE WRITTEN PERMISSION OF UNI-GRIP, INC. IS PROHIBITED. | DIMENSIONS ARE IN INCHES TOLERANCES PER ARPM CLASS 3 |
| | WEIGHT 0.118 LB/FT |
| | ASTM D1056 2A3 |
| DOCUMENT CONTROL NUMBER UG-1-EN-001-FR-(111416) | ASTM D2000 3BA711 A14 B13 C12 F17 |

| | | |
|------------------------|---------------------------------|-----------------|
| TITLE: SD-12150 | | |
| SIZE A | DWG. NO. UG-1-DU-1000-WR-018 | REV A |