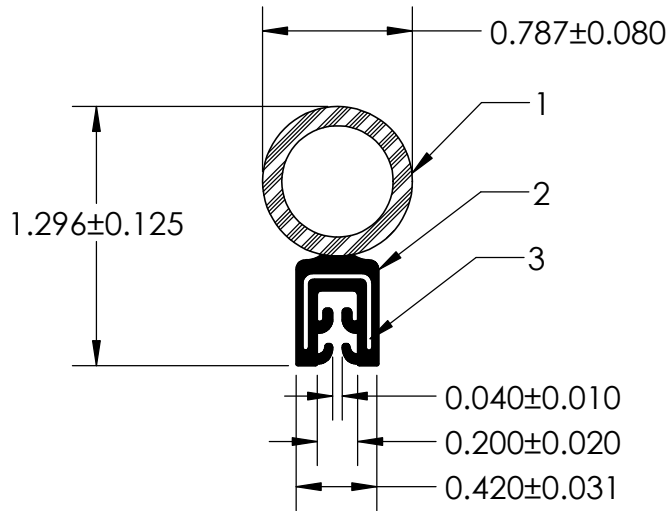
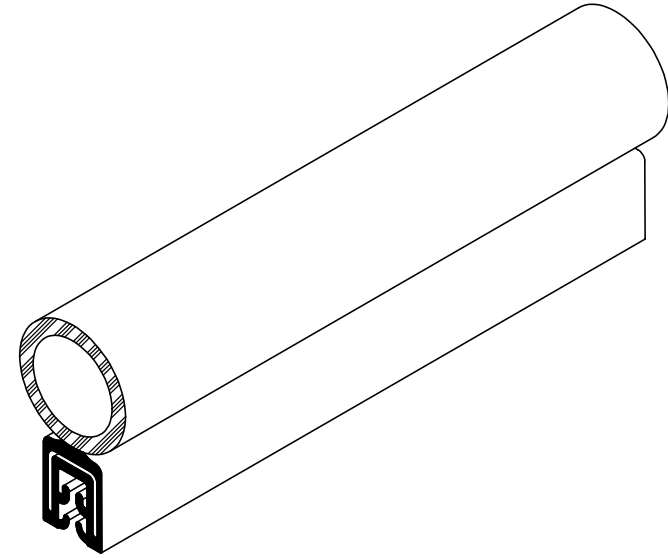


NOTES:

- 1) CLOSE CELL EPDM SPONGE RUBBER (0.536 G/CM³)
- 2) 70 DUROMETER DENSE RUBBER (1.200 G/CM³)
- 3) 1.120" WIRE CARRIER (0.024 LB/FT)



UNI-GRIP, INC.

9823 STATE ROUTE 53 N
UPPER SANDUSKY, OHIO 43351

2	PROPRIETARY AND CONFIDENTIAL:	UNLESS OTHERWISE SPECIFIED:	TITLE:		
	THE INFORMATION CONTAINED IN THIS DRAWING IS THE SOLE PROPERTY OF UNI-GRIP, INC. ANY REPRODUCTION IN PART OR AS A WHOLE WITHOUT THE WRITTEN PERMISSION OF UNI-GRIP, INC. IS PROHIBITED.	DIMENSIONS ARE IN INCHES TOLERANCES PER ARPM CLASS 3	SD-12155		
	DOCUMENT CONTROL NUMBER UG-1-EN-001-FR-(111416)	WEIGHT 0.169 LB/FT	SIZE A	DWG. NO. UG-1-DU-1120-WR-053	REV A
	ASTM D1056 2A3	ASTM D2000 3BA711 A14 B13 C12 F17	DR. BY C. VENT	DATE 12/5/2017	SHEET 1 OF 1