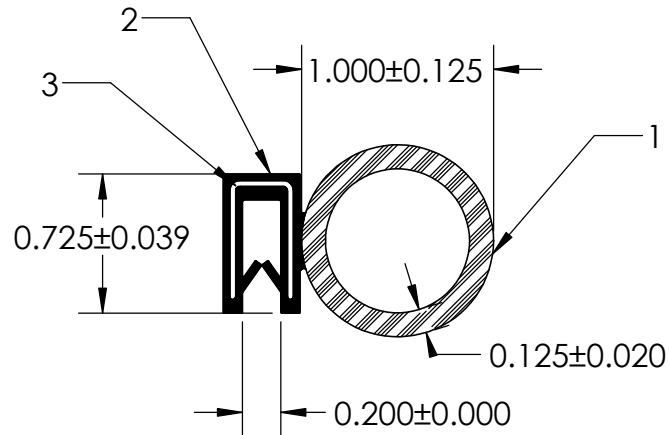
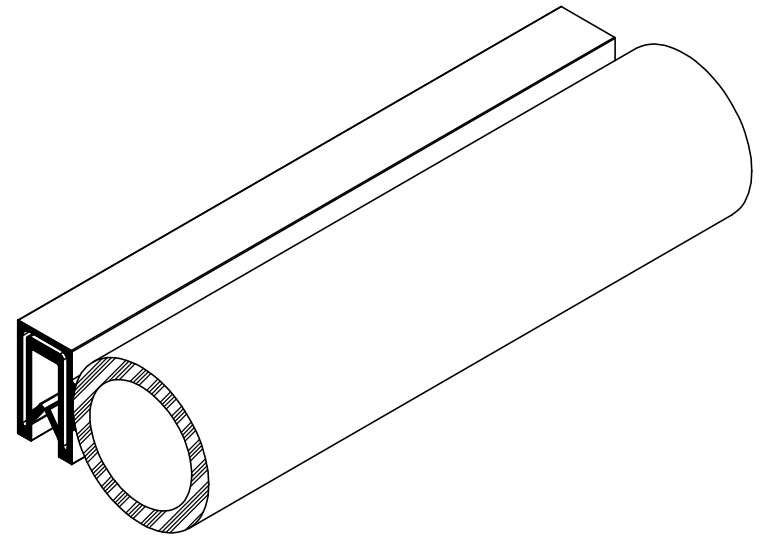


NOTES:

- 1) CLOSED CELL EPDM SPONGE RUBBER (0.750 G/CM³)
- 2) 70 DUROMETER EPDM DENSE RUBBER (1.200 G/CM³)
- 3) 1.430" WIRE CARRIER (0.033 LB/FT)



UNI-GRIP, INC.

9823 STATE ROUTE 53 N
UPPER SANDUSKY, OHIO 43351

REVISION BLOCK

REV.	DATE	By	CHANGES MADE
A	08/09/18	GS	Added a revision block to template
B			
C			
D			
E			

PROPRIETARY AND CONFIDENTIAL:

THE INFORMATION CONTAINED IN THIS DRAWING IS THE SOLE PROPERTY OF UNI-GRIP, INC. ANY REPRODUCTION IN PART OR AS A WHOLE WITHOUT THE WRITTEN PERMISSION OF UNI-GRIP, INC. IS PROHIBITED.

DOCUMENT CONTROL NUMBER
UG-1-EN-001-FR-(080918)

UNLESS OTHERWISE SPECIFIED:

DIMENSIONS ARE IN INCHES
TOLERANCES PER ARPM CLASS 3

WEIGHT
0.244 LB/FT

ASTM D1056
2A4

ASTM D2000
3BA711 A14 B13 C12 F17

TITLE:

SD-12664

SIZE
A

DWG. NO.
UG-1-DU-1430-WR-141

REV
A

P:\Engineering\Prints\Dual Durometer\SD-12664 UG-1-DU-1430-WR-141

SCALE: 1:1

DR. BY C. VENT

DATE 10/4/2018

SHEET 1 OF 1