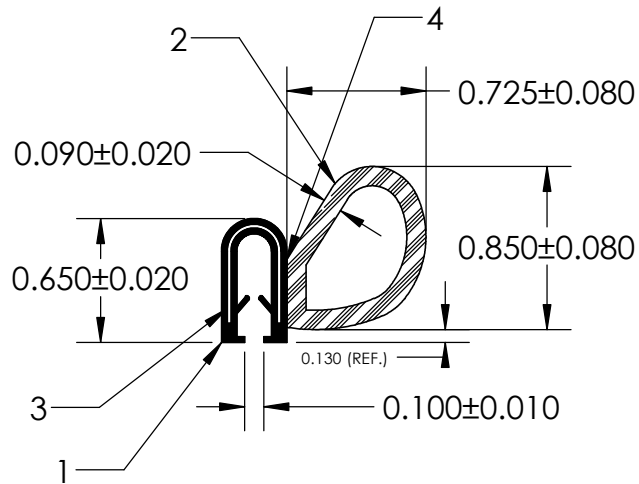
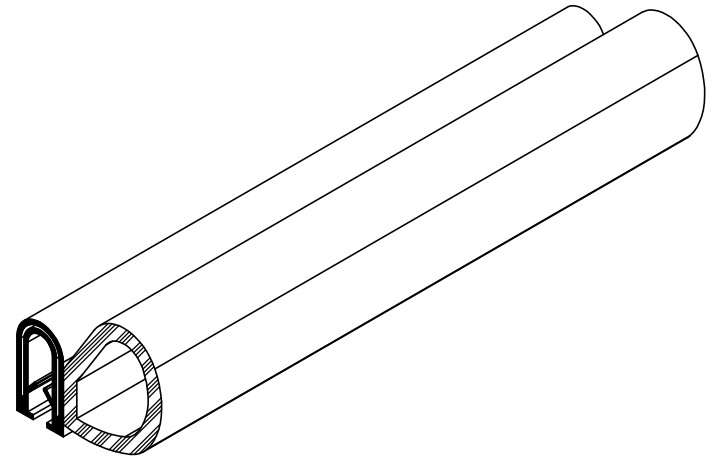


NOTES:

- 1) 80 DUROMETER BLACK PVC (1.370 G/CM<sup>3</sup>)
- 2) CLOSED CELL EPDM SPONGE RUBBER (0.750 G/CM<sup>3</sup>)
- 3) 1.170" STAMPED STEEL (0.054 LB/FT)
- 4) CYANOACRYLATE ADHISIVE



**UNI-GRIP, INC.**

9823 STATE ROUTE 53 N  
UPPER SANDUSKY, OHIO 43351

REVISION BLOCK				PROPRIETARY AND CONFIDENTIAL:	UNLESS OTHERWISE SPECIFIED:	TITLE:				
REV.	DATE	R. By	CHANGES MADE	THE INFORMATION CONTAINED IN THIS DRAWING IS THE SOLE PROPERTY OF UNI-GRIP, INC. ANY REPRODUCTION IN PART OR AS A WHOLE WITHOUT THE WRITTEN PERMISSION OF UNI-GRIP, INC. IS PROHIBITED.	DIMENSIONS ARE IN INCHES TOLERANCES PER ARPM CLASS 3	SD-127				
A										
B					WEIGHT	SIZE <b>A</b> DWG. NO. UG-1-GL-1170-FS-050      REV UG-1-GL-1170-FS-050				
C					ASTM D1056					
D					ASTM D2000					
E				DOCUMENT CONTROL NUMBER UG-1-EN-001-FR-(080918)	3BA711 A14 B13 C12 F17	DR. BY	C. VENT	DATE	12/10/2020	SHEET 1 OF 1
P:\Engineering\Prints\Master Prints\Glue Line\SD-127 UG-1-GL-1170-FS-050				SCALE:	1:1					