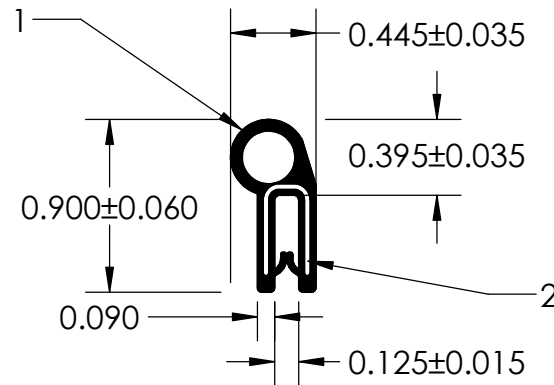
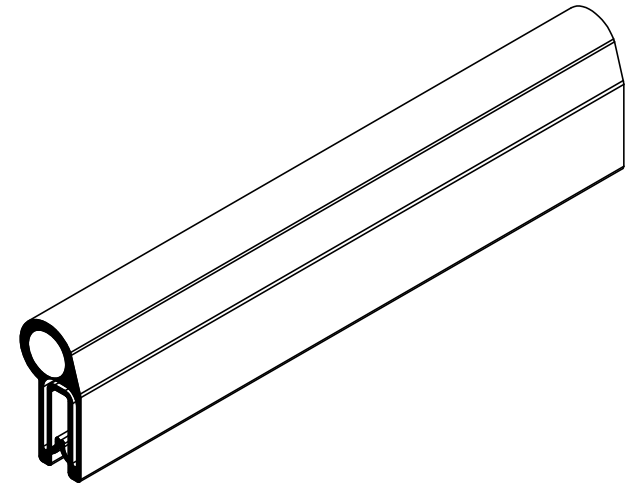


NOTES:

1) 60 DUROMETER BLACK SILICONE (1.200 G/CM³)

2) 1.120" WIRE CARRIER (0.024 LB/FT)



UNI-GRIP, INC.

9823 STATE ROUTE 53 N
UPPER SANDUSKY, OHIO 43351

REVISION BLOCK				PROPRIETARY AND CONFIDENTIAL:	UNLESS OTHERWISE SPECIFIED:	TITLE:							
REV.	DATE	REVIEWED BY	CHANGES MADE	THE INFORMATION CONTAINED IN THIS DRAWING IS THE SOLE PROPERTY OF UNI-GRIP, INC. ANY REPRODUCTION IN PART OR AS A WHOLE WITHOUT THE WRITTEN PERMISSION OF UNI-GRIP, INC. IS PROHIBITED.	DIMENSIONS ARE IN INCHES TOLERANCES PER ARPM CLASS 3	SD-236-G							
A													
B					WEIGHT	0.120 LB/FT							
C					ASTM D1056	N/A							
D					DOCUMENT CONTROL NUMBER	ASTM D2000	N/A						
E				UG-1-EN-001-FR-(103018)									
P:\Engineering\Prints\Dual Durometer\SD-236-G				UG-1-DU-1120-WR-118	SCALE:	1:1		DR. BY	C. VENT	DATE	9/9/2019	SHEET	1 OF 1