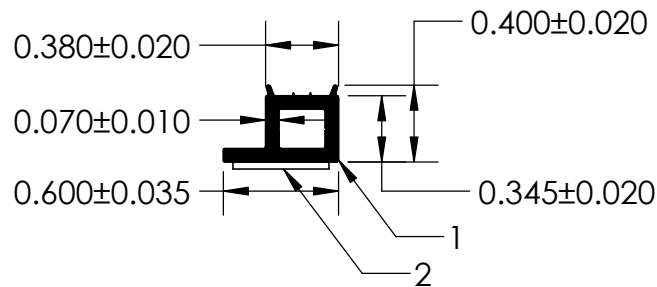
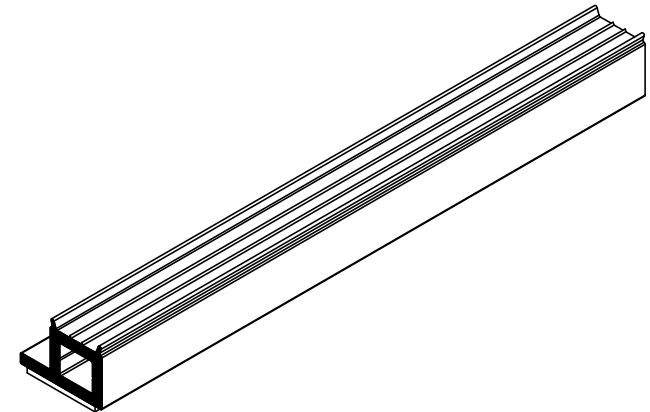


NOTES:

- 1) CLOSED CELL EPDM SPONGE RUBBER (0.400 G/CM³)
- 2) 1/2" PAPER TAPE (0.003 LB/FT)



UNI-GRIP, INC.

9823 STATE ROUTE 53 N
UPPER SANDUSKY, OHIO 43351

| REVISION BLOCK | | | | PROPRIETARY AND CONFIDENTIAL: | UNLESS OTHERWISE SPECIFIED: | TITLE: | | |
|---|------|-------------|--------------|---|---|-------------|-----------|--------------|
| REV. | DATE | REVIEWED BY | CHANGES MADE | THE INFORMATION CONTAINED IN THIS DRAWING IS THE SOLE PROPERTY OF UNI-GRIP, INC. ANY REPRODUCTION IN PART OR AS A WHOLE WITHOUT THE WRITTEN PERMISSION OF UNI-GRIP, INC. IS PROHIBITED. | DIMENSIONS ARE IN INCHES TOLERANCES PER ARPM CLASS 3 | SD-261-PT | | |
| A | | | | | | | | |
| B | | | | | WEIGHT | 0.030 LB/FT | | |
| C | | | | | ASTM D1056 | 2A2 | | |
| D | | | | | DOCUMENT CONTROL NUMBER | ASTM D2000 | N/A | |
| E | | | | UG-1-EN-001-FR-(103018) | SCALE: 1:1 | | | |
| P:\Engineering\Prints\Tape Seals\SD-261-PT UG-1-TS-500-PT-107 | | | | DR. BY C. VENT | | DATE | 3/13/2019 | SHEET 1 OF 1 |