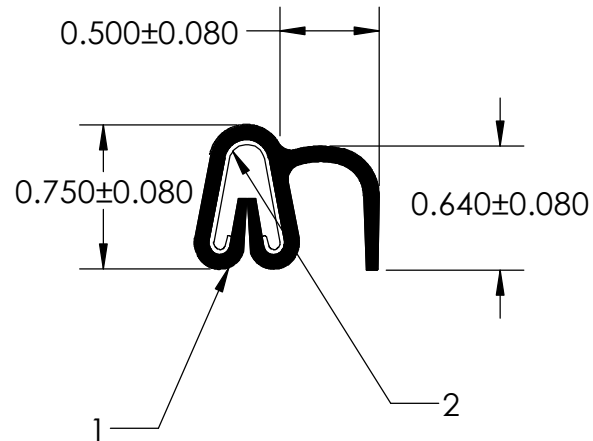
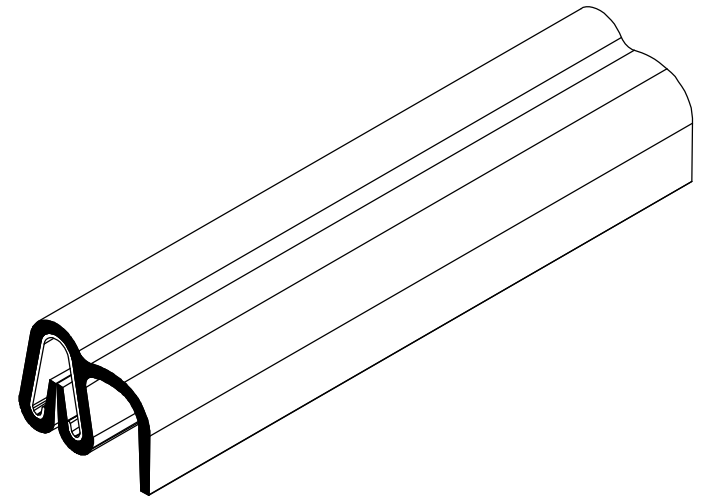


NOTES:

- 1) CLOSED CELL SPONGE RUBBER (DENSITY 0.699 G/CM³)
- 2) SD-500L SPRING STEEL (0.035 LB/FT)



UNI-GRIP, INC.

9823 STATE ROUTE 53 N
UPPER SANDUSKY, OHIO 43351

PROPRIETARY AND CONFIDENTIAL: THE INFORMATION CONTAINED IN THIS DRAWING IS THE SOLE PROPERTY OF UNI-GRIP, INC. ANY REPRODUCTION IN PART OR AS A WHOLE WITHOUT THE WRITTEN PERMISSION OF UNI-GRIP, INC. IS PROHIBITED.	UNLESS OTHERWISE SPECIFIED:	TITLE:		
	DIMENSIONS ARE IN INCHES TOLERANCES PER ARPM CLASS 3	SD-352-500L		
	WEIGHT 0.110 LB/FT			
DOCUMENT CONTROL NUMBER UG-1-EN-001-FR-(111416)	ASTM D1056 2A3	SIZE A	DWG. NO. UG-1-FL-500-ST-004	REV A
	ASTM D2000 N/A	DR. BY L. CLARK	DATE 12/16/2016	SHEET 1 OF 1