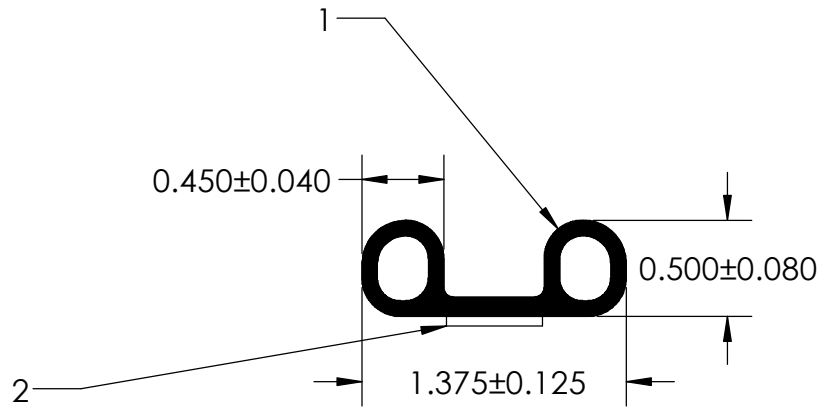
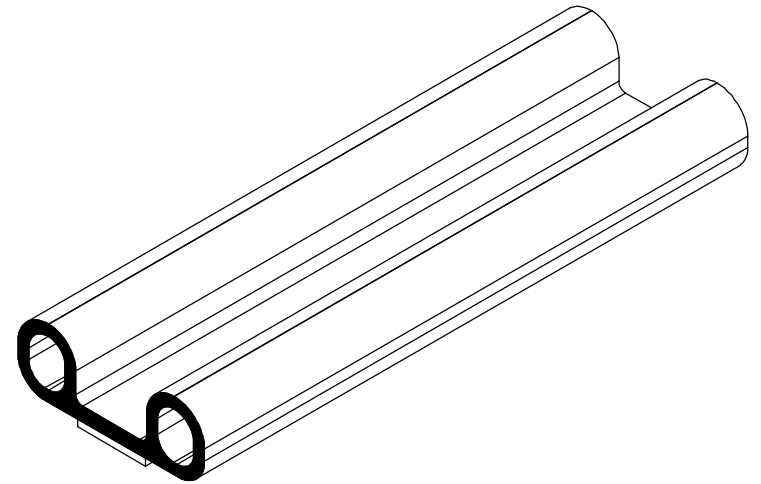


NOTES:

- 1) CLOSED CELL SPONGE RUBBER (DENSITY 0.505 G/CM<sup>3</sup>)
- 2) 3/8" 3M ST-1200 HEAT ACTIVATED TAPE (0.010 LB/FT)



**UNI-GRIP, INC.**

9823 STATE ROUTE 53 N  
UPPER SANDUSKY, OHIO 43351

PROPRIETARY AND CONFIDENTIAL:  THE INFORMATION CONTAINED IN THIS DRAWING IS THE SOLE PROPERTY OF UNI-GRIP, INC. ANY REPRODUCTION IN PART OR AS A WHOLE WITHOUT THE WRITTEN PERMISSION OF UNI-GRIP, INC. IS PROHIBITED.	UNLESS OTHERWISE SPECIFIED:	TITLE:		
	DIMENSIONS ARE IN INCHES TOLERANCES PER ARPM CLASS 3	SD-413-T		
	WEIGHT 0.072 LB/FT			
DOCUMENT CONTROL NUMBER UG-1-EN-001-FR-(111416)	ASTM D1056 2A3	SIZE <b>A</b>	DWG. NO. UG-1-TS-500-TP-004	REV <b>A</b>
	ASTM D2000 N/A	DR. BY L. CLARK	DATE 12/12/2016	SHEET 1 OF 1