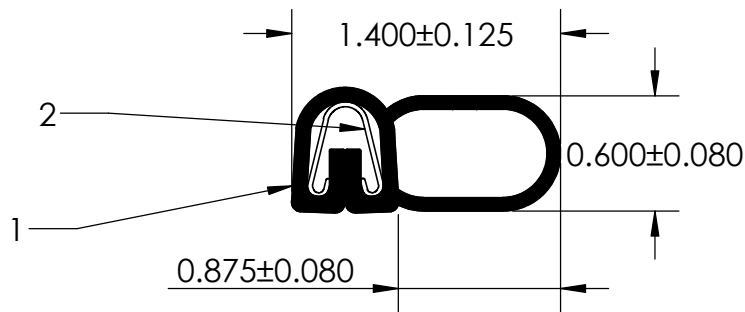
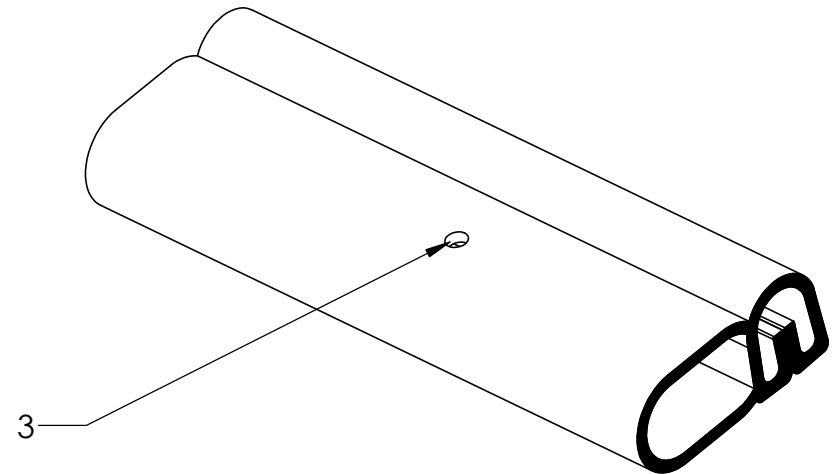


NOTES:

- 1) CLOSED CELL EPDM SPONGE RUBBER (DENSITY 0.696 G/CM<sup>3</sup>)
- 2) SD-487 SPRING STEEL CARRIER (0.030 LB/FT)
- 3) 0.125" VENT HOLE 6"-10" SPACING



**UNI-GRIP, INC.**

9823 STATE ROUTE 53 N  
UPPER SANDUSKY, OHIO 43351

|   |   |
|---|---|
| PROPRIETARY AND CONFIDENTIAL:   | UNLESS OTHERWISE SPECIFIED:                             |
| THE INFORMATION CONTAINED IN THIS DRAWING IS THE SOLE PROPERTY OF UNI-GRIP, INC. ANY REPRODUCTION IN PART OR AS A WHOLE WITHOUT THE WRITTEN PERMISSION OF UNI-GRIP, INC. IS PROHIBITED. | DIMENSIONS ARE IN INCHES<br>TOLERANCES PER ARPM CLASS 3 |
|   | WEIGHT<br>0.127 LB/FT                                   |
|   | ASTM D1056<br>2A2                                       |
| DOCUMENT CONTROL NUMBER<br>UG-1-EN-001-FR-(111416)  | ASTM D2000<br>N/A                                       |

|                      |                                |                 |
|----------------------|--------------------------------|-----------------|
| TITLE:<br><br>SD-504 |                                |                 |
| SIZE<br><b>A</b>     | DWG. NO.<br>UG-1-BL-487-ST-005 | REV<br><b>A</b> |