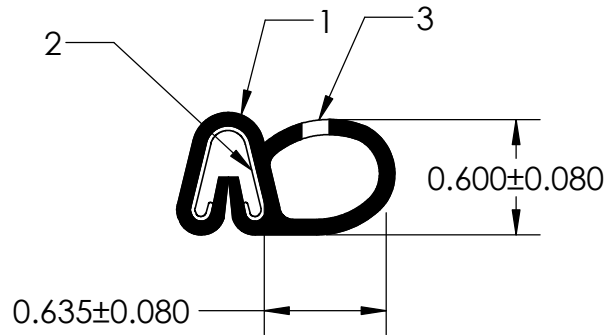
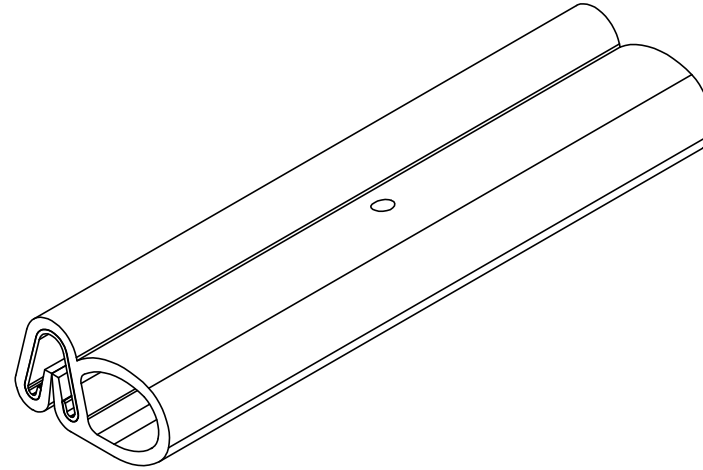


NOTES:

- 1) CLOSED CELL EPDM SPONGE RUBBER (0.500 G/CM³)
- 2) SD-487 STEEL CARRIER (0.030 LB/FT)
- 3) .125" VENT HOLE



UNI-GRIP, INC.

9823 STATE ROUTE 53 N
UPPER SANDUSKY, OHIO 43351

REVISION BLOCK

REV.	DATE	REVIEWED BY	CHANGES MADE
A			
B			
C			
D			
E			

PROPRIETARY AND CONFIDENTIAL:

THE INFORMATION CONTAINED IN THIS DRAWING IS THE SOLE PROPERTY OF UNI-GRIP, INC. ANY REPRODUCTION IN PART OR AS A WHOLE WITHOUT THE WRITTEN PERMISSION OF UNI-GRIP, INC. IS PROHIBITED.

DOCUMENT CONTROL NUMBER
UG-1-EN-001-FR-(103018)

UNLESS OTHERWISE SPECIFIED:

DIMENSIONS ARE IN INCHES
TOLERANCES PER ARPM CLASS 3

WEIGHT
0.105 LB/FT

ASTM D1056
2A4

ASTM D2000
N/A

TITLE:

SD-510 SPRADLING

SIZE
A

DWG. NO.
UG-1-BL-487-ST-079

REV
A

P:\Engineering\Prints\Bulb Seals\SD-510 SPRADLING UG-1-BL-487-ST-079

SCALE: 1:1

DR. BY C. VENT

DATE 2/14/2020

SHEET 1 OF 1