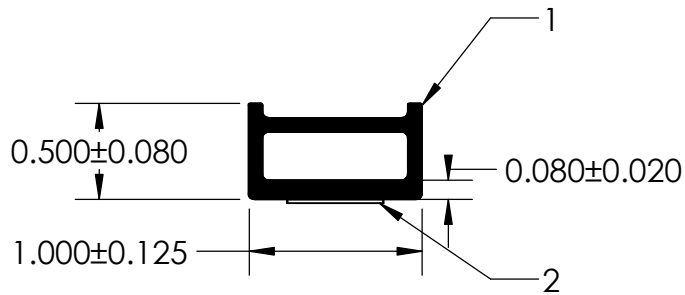
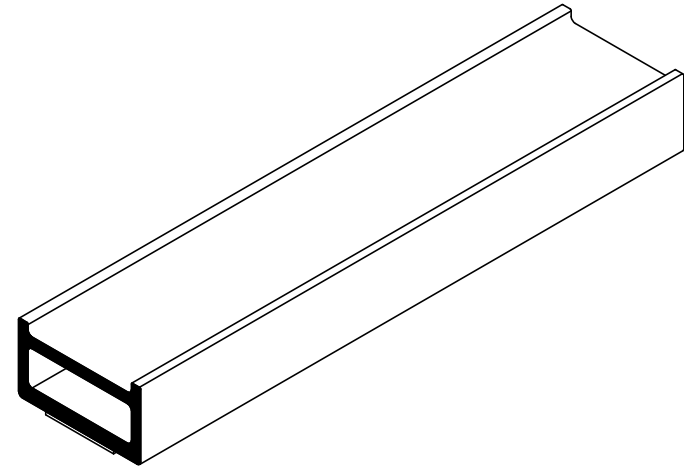


NOTES:

1) CLOSED CELL EPDM SPONGE RUBBER (0.725 G/CM³)

2) 1/2" PAPER TAPE (0.003G/CM³)



UNI-GRIP, INC.

9823 STATE ROUTE 53 N
UPPER SANDUSKY, OHIO 43351

REVISION BLOCK				PROPRIETARY AND CONFIDENTIAL:	UNLESS OTHERWISE SPECIFIED:	TITLE:			
REV.	DATE	APPROVED BY	CHANGES MADE	THE INFORMATION CONTAINED IN THIS DRAWING IS THE SOLE PROPERTY OF UNI-GRIP, INC. ANY REPRODUCTION IN PART OR AS A WHOLE WITHOUT THE WRITTEN PERMISSION OF UNI-GRIP, INC. IS PROHIBITED.	DIMENSIONS ARE IN INCHES TOLERANCES PER ARPM CLASS 3	SD-810-PT			
A									
B					WEIGHT	0.067 LB/FT			
C					ASTM D1056	2A4	SIZE	DWG. NO.	REV
D					DOCUMENT CONTROL NUMBER	ASTM D2000	A	UG-1-TS-500-PT-091	A
E				UG-1-EN-001-FR-(111416)	N/A	DR. BY	C. VENT	DATE	
P:\Engineering\Prints\SD-810-PT UG-1-TS-500-PT-091				SCALE:	1:1	DATE	10/1/2018	SHEET 1 OF 1	