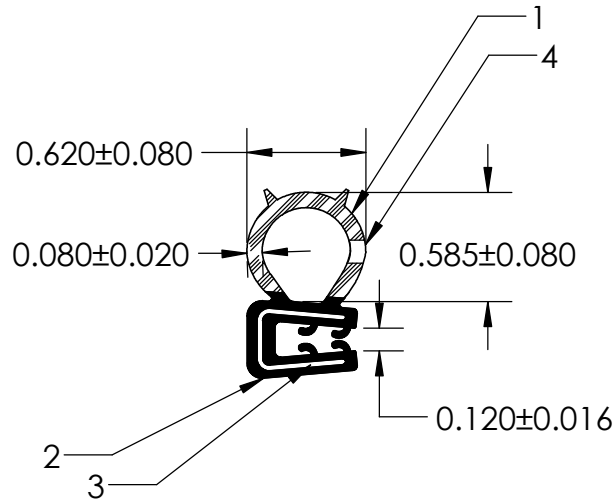
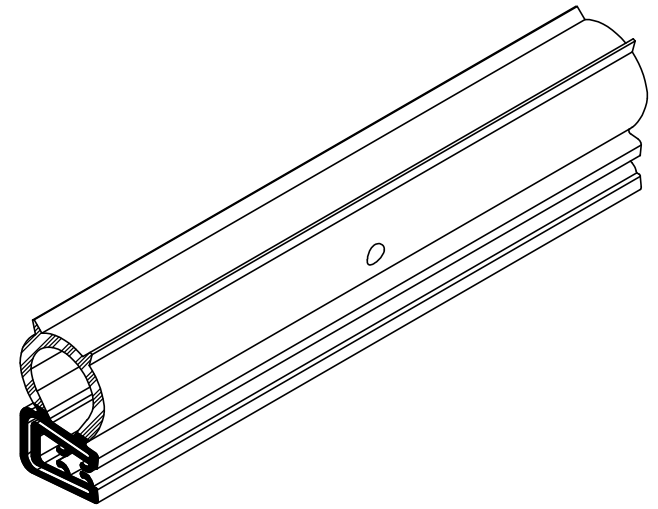


NOTES:

- 1) CLOSED CELL EPDM SPONGE RUBBER (0.700 G/CM³)
- 2) 70 DUROMETER EPDM DENSE RUBBER (1.200 G/CM³)
- 3) 1.120" WIRE CARRIER
- 4) VENT HOLE



UNI-GRIP, INC.

9823 STATE ROUTE 53 N
UPPER SANDUSKY, OHIO 43351

REVISION BLOCK				PROPRIETARY AND CONFIDENTIAL:	UNLESS OTHERWISE SPECIFIED:	TITLE:		
REV.	DATE	REVIEWED BY	CHANGES MADE	THE INFORMATION CONTAINED IN THIS DRAWING IS THE SOLE PROPERTY OF UNI-GRIP, INC. ANY REPRODUCTION IN PART OR AS A WHOLE WITHOUT THE WRITTEN PERMISSION OF UNI-GRIP, INC. IS PROHIBITED.	DIMENSIONS ARE IN INCHES TOLERANCES PER ARPM CLASS 3	SD-912 COLLINS BUS		
A								
B					WEIGHT	SIZE A DWG. NO. UG-1-DU-1120-WR-119 REV A		
C					0.143 LB/FT			
D					ASTM D1056	DR. BY C. VENT DATE 9/19/2019 SHEET 1 OF 1		
E				2A4				
				DOCUMENT CONTROL NUMBER	ASTM D2000			
				UG-1-EN-001-FR-(103018)	3BA711 A14 B13 C12 F17			
P:\Engineering\Prints\Dual Durometer\SD-912 COLLINS BUS UG-1-DU-1120-WR-119				SCALE:	1:1			