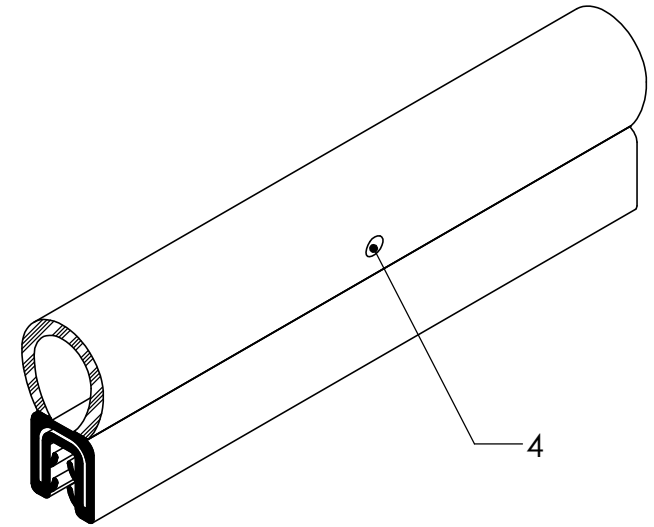
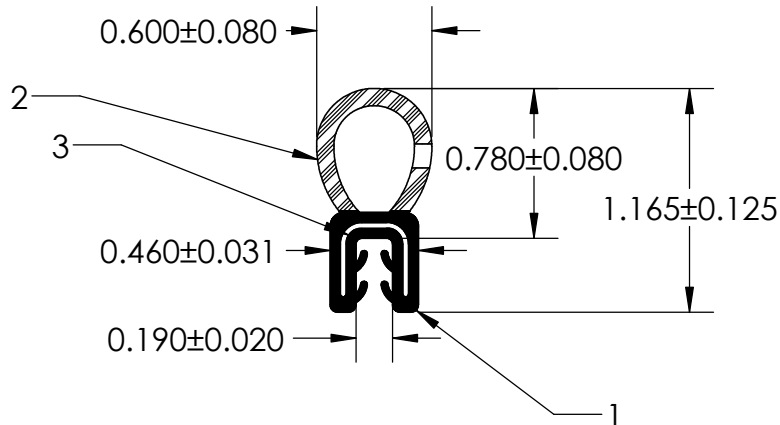


NOTES:

- 1) 70 DUROMETER EPDM DENSE RUBBER (1.200 G/CM³)
- 2) CLOSED CELL EPDM SPONGE RUBBER (0.550 G/CM³)
- 3) 1.120" WIRE CARRIER (0.024 LB/FT)
- 4) 0.125" VENT HOLE 6"-10" SPACING



UNI-GRIP, INC.

9823 STATE ROUTE 53 N
UPPER SANDUSKY, OHIO 43351

PROPRIETARY AND CONFIDENTIAL: THE INFORMATION CONTAINED IN THIS DRAWING IS THE SOLE PROPERTY OF UNI-GRIP, INC. ANY REPRODUCTION IN PART OR AS A WHOLE WITHOUT THE WRITTEN PERMISSION OF UNI-GRIP, INC. IS PROHIBITED.		UNLESS OTHERWISE SPECIFIED: DIMENSIONS ARE IN INCHES TOLERANCES PER ARPM CLASS 3		TITLE: <p style="text-align: center; font-size: 1.2em;">SD-968</p>	
DOCUMENT CONTROL NUMBER UG-1-EN-001-FR-(111416)		WEIGHT <p style="text-align: center; font-size: 1.2em;">0.143 LB/FT</p> ASTM D1056 <p style="text-align: center; font-size: 1.2em;">2A3</p>		SIZE <p style="text-align: center; font-size: 2em; font-weight: bold;">A</p>	DWG. NO. <p style="text-align: center; font-size: 1.2em;">UG-1-DU-1120-WR-019</p>
ASTM D2000 3BA711 A14 B13 C12 F17		DATE <p style="text-align: center; font-size: 1.2em;">4/27/2017</p>		DR. BY <p style="text-align: center; font-size: 1.2em;">L. CLARK</p>	REV <p style="text-align: center; font-size: 2em; font-weight: bold;">A</p>
SCALE: 1:1		SHEET 1 OF 1			