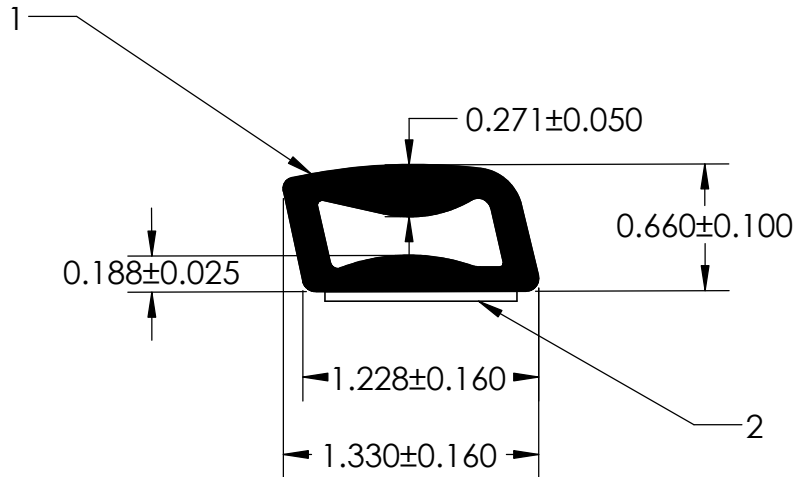
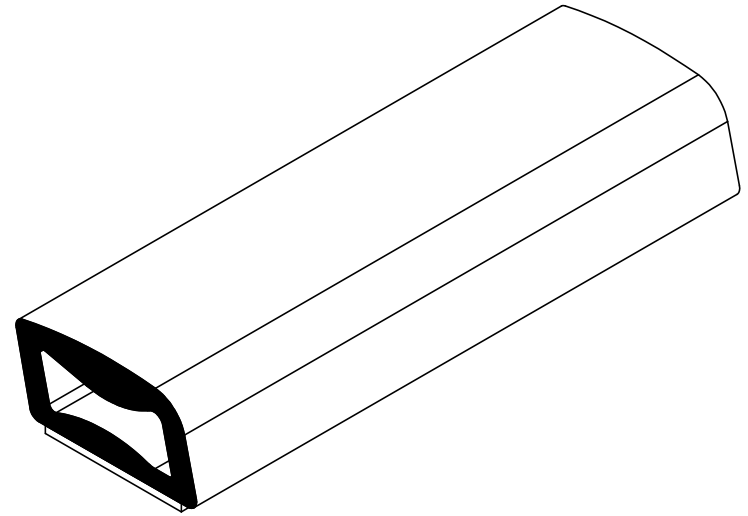


NOTES:

- 1) CLOSED CELL EPDM SPONGE RUBBER (0.250 G/CM<sup>3</sup>)
- 2) 1.000" ST-1200 3M HEAT ACTIVATED TAPE (0.017 LB/FT)



**UNI-GRIP, INC.**

9823 STATE ROUTE 53 N  
UPPER SANDUSKY, OHIO 43351

REVISION BLOCK			
REV.	DATE	R. By	CHANGES MADE
A			
B			
C			
D			
E			

PROPRIETARY AND CONFIDENTIAL:

THE INFORMATION CONTAINED IN THIS DRAWING IS THE SOLE PROPERTY OF UNI-GRIP, INC. ANY REPRODUCTION IN PART OR AS A WHOLE WITHOUT THE WRITTEN PERMISSION OF UNI-GRIP, INC. IS PROHIBITED.

DOCUMENT CONTROL NUMBER  
UG-1-EN-001-FR-(080918)

UNLESS OTHERWISE SPECIFIED:

DIMENSIONS ARE IN INCHES  
TOLERANCES PER ARPM CLASS 3

WEIGHT  
0.076 LB/FT

ASTM D1056  
2A2

ASTM D2000  
N/A

SCALE: 1:1

TITLE:  
**TS-187**

SIZE **A** DWG. NO. UG-1-TS-1000-TP-187 REV

DR. BY C. VENT DATE 3/29/2021 SHEET 1 OF 1