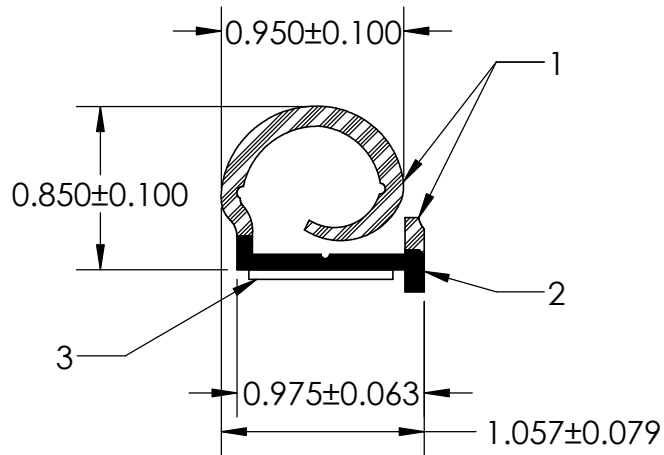
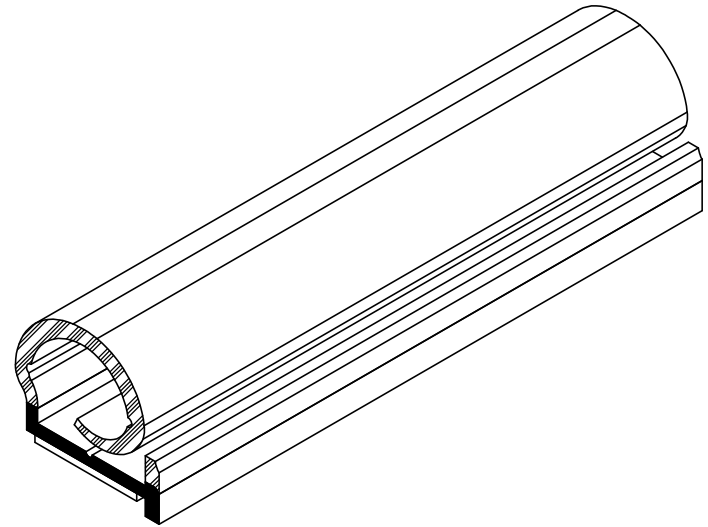


NOTES:

- 1) CLOSED CELL EPDM SPONGE RUBBER (0.750 G/CM³)
- 2) 90 DUROMETER EPDM DENSE RUBBER (1.250 G/CM³)
- 3) 5/8" ST-1200 3M HEAT ACTIVATED TAPE (0.013 LB/FT)



UNI-GRIP, INC.

9823 STATE ROUTE 53 N
UPPER SANDUSKY, OHIO 43351

REVISION BLOCK

REV.	DATE	REVIEWED BY	CHANGES MADE
A			
B			
C			
D			
E			

PROPRIETARY AND CONFIDENTIAL:

THE INFORMATION CONTAINED IN THIS DRAWING IS THE SOLE PROPERTY OF UNI-GRIP, INC. ANY REPRODUCTION IN PART OR AS A WHOLE WITHOUT THE WRITTEN PERMISSION OF UNI-GRIP, INC. IS PROHIBITED.

DOCUMENT CONTROL NUMBER
UG-1-EN-001-FR-(103018)

UNLESS OTHERWISE SPECIFIED:

DIMENSIONS ARE IN INCHES
TOLERANCES PER ARPM CLASS 3

WEIGHT
0.117 LB/FT

ASTM D1056
2A4

ASTM D2000
3BA711 A14 B13 C12 F17

TITLE:

UNI-SEAL B

SIZE
A

DWG. NO.
UG-1-US-625-TP-002

REV
A

P:\Engineering\Prints\Uni-Seal\UNI-SEAL B UG-1-US-625-TP-002

SCALE: 1:1

DR. BY C. VENT

DATE 5/21/2019

SHEET 1 OF 1