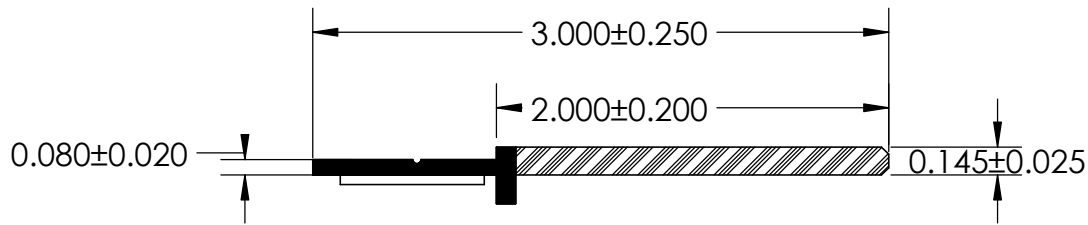
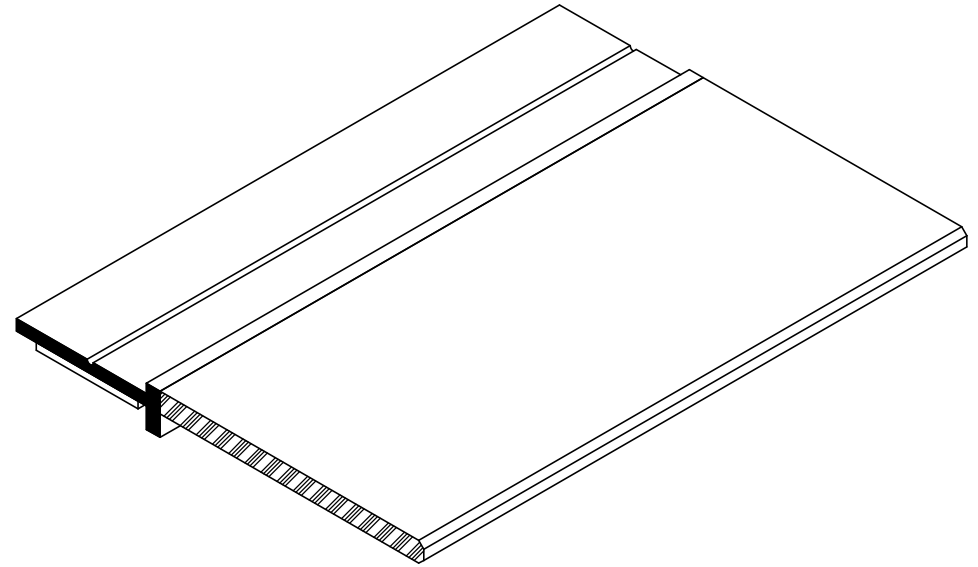


NOTES:

- 1) CLOSED CELL EPDM SPONGE RUBBER (0.700 G/CM³)
- 2) 90 DUROMETER EPDM DENSE RUBBER (1.250 G/CM³)
- 3) 5/8" ST-1200 HEAT ACTIVATED TAPE (0.013 LB/FT)



UNI-GRIP, INC.

9823 STATE ROUTE 53 N
UPPER SANDUSKY, OHIO 43351

| REVISION BLOCK | | | |
|----------------|------|-------------|--------------|
| REV. | DATE | REVIEWED BY | CHANGES MADE |
| A | | | |
| B | | | |
| C | | | |
| D | | | |
| E | | | |

| | |
|---|---|
| PROPRIETARY AND CONFIDENTIAL: | UNLESS OTHERWISE SPECIFIED: |
| THE INFORMATION CONTAINED IN THIS DRAWING IS THE SOLE PROPERTY OF UNI-GRIP, INC. ANY REPRODUCTION IN PART OR AS A WHOLE WITHOUT THE WRITTEN PERMISSION OF UNI-GRIP, INC. IS PROHIBITED. | DIMENSIONS ARE IN INCHES TOLERANCES PER ARPM CLASS 3 |
| | WEIGHT 0.163 LB/FT |
| | ASTM D1056 2A4 |
| DOCUMENT CONTROL NUMBER UG-1-EN-001-FR-(103018) | ASTM D2000 3BA711 A14 B13 C12 F17 |

| | | |
|--------------------------|--------------------------------|-----------------|
| TITLE: UNI-SEAL F | | |
| SIZE A | DWG. NO. UG-1-US-625-TP-003 | REV A |